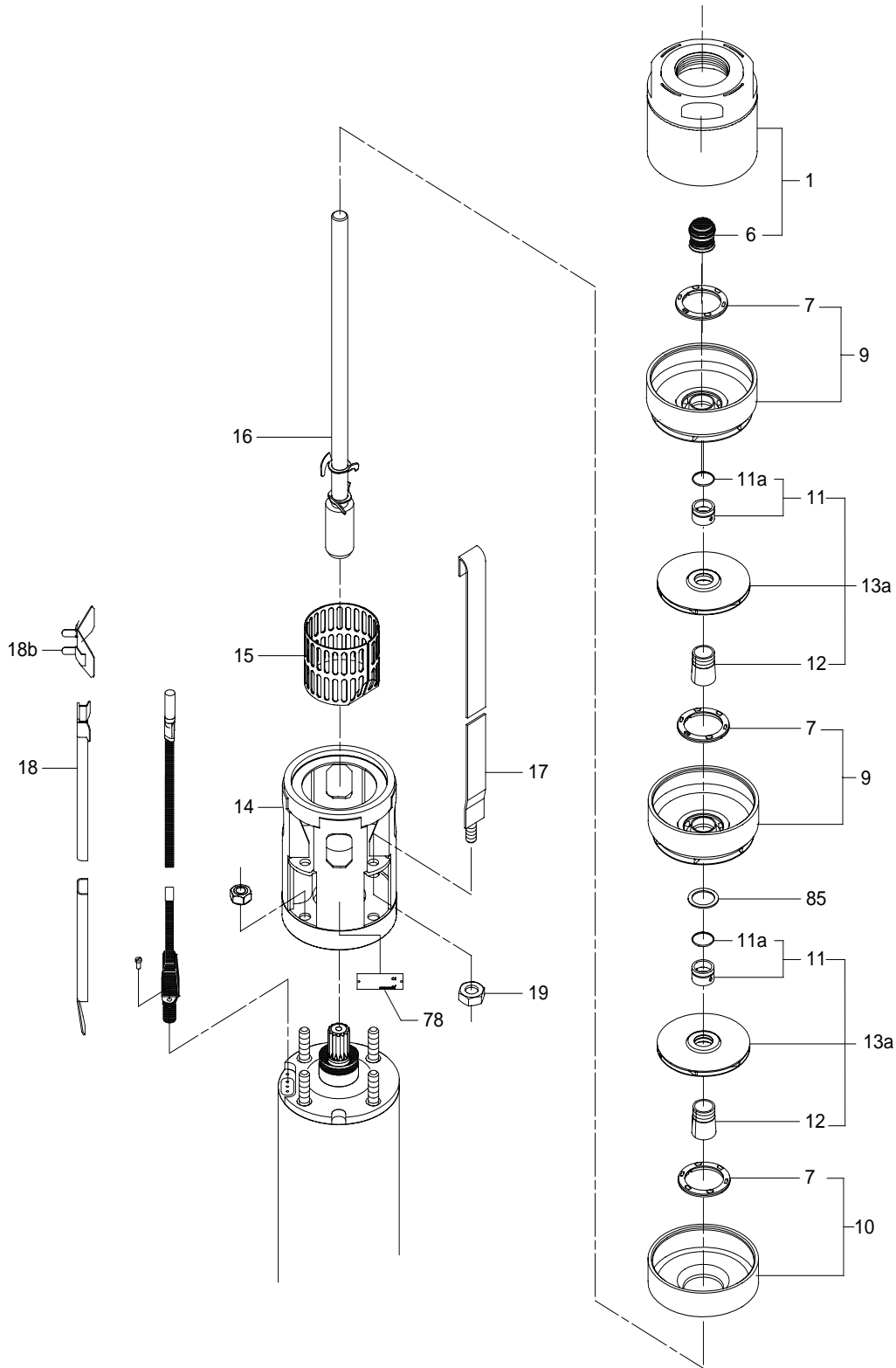


**80. SP****SP 1A, 2A model A****50/60 Hz, Cone and nut type****Wear parts**

|      | Kit No           | 105059 | 095059 | 095060 | 095061 | 095062 |
|------|------------------|--------|--------|--------|--------|--------|
| Pos. | Number of stages | 31-39  | 40-48  | 49-60  | 61-75  | 76-90  |
|      | Description      |        |        |        |        |        |
| 6    | Top bearing      | 1      | 1      | 1      | 1      | 1      |
| 7    | Neck ring        | 39     | 48     | 60     | 75     | 90     |
| 85   | Stop ring        | 3      | 3      | 3      | 3      | 3      |

SP 1A, 2A model A

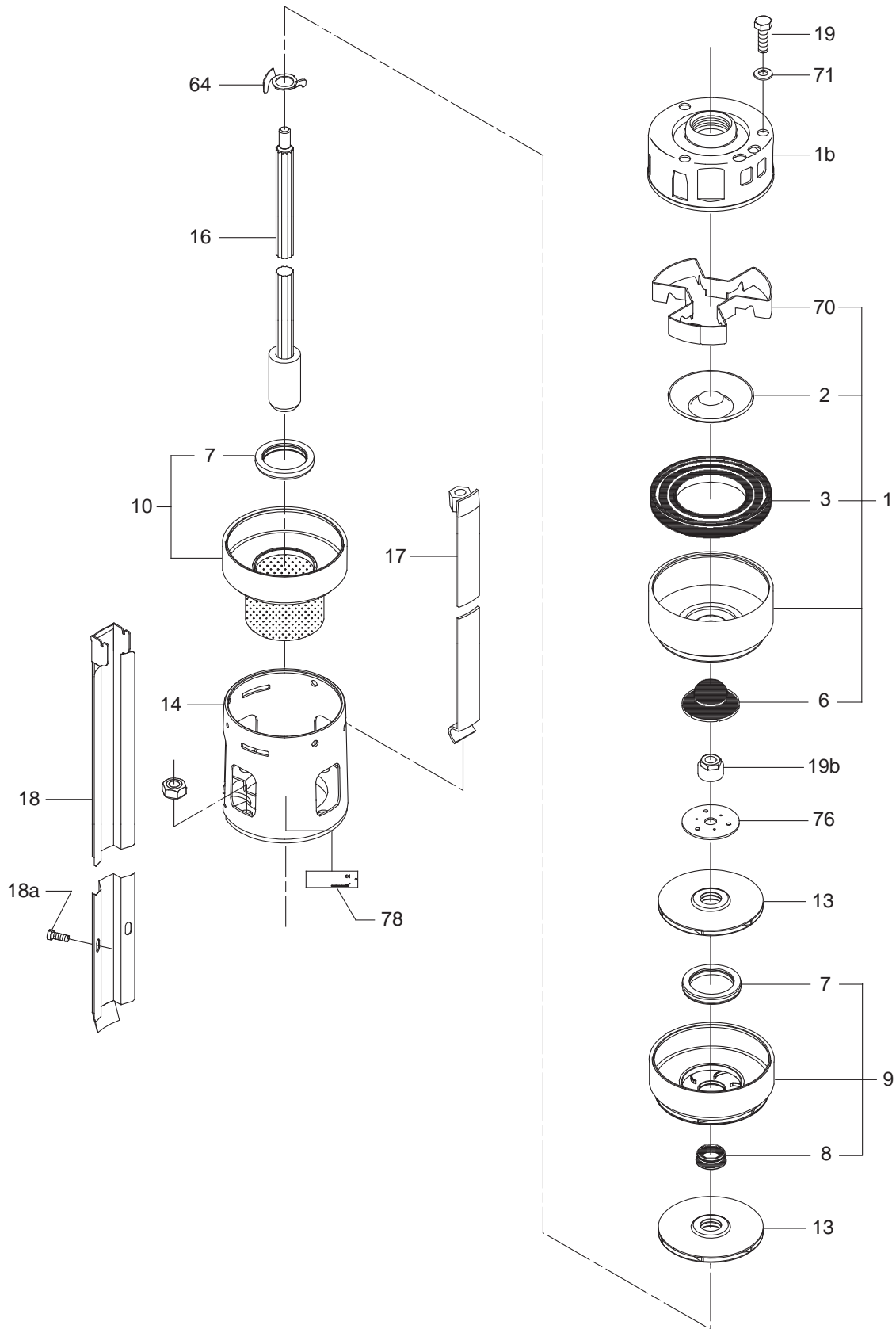


TM01 9316 3403

**SP 1A, 1.5A, 2A model A****50/60 Hz, Splined shaft****Wear parts**

| Kit No      | 095054              | 055008 | 055009 | 095056 | 055010 | 055011 |       |
|-------------|---------------------|--------|--------|--------|--------|--------|-------|
| Pos.        | Number of stages    | -6     | 7-9    | 10-15  | 16-21  | 22-26  | 27-33 |
| Description |                     |        |        |        |        |        |       |
| 3           | Valve seat          | 1      | 1      | 1      | 1      | 1      | 1     |
| 6           | Top bearing         | 1      | 1      | 1      | 1      | 1      | 1     |
| 7           | Neck ring           | 6      | 9      | 15     | 21     | 26     | 33    |
| 8           | Bearing             | 6      | 9      | 15     | 21     | 26     | 33    |
| 19b         | Lock nut, M8        | 1      | 1      | 1      | 1      | 1      | 1     |
|             | Lock nut, 5/16" UNF | 1      | 1      | 1      | 1      | 1      | 1     |
| 70          | Valve guide         | 1      | 1      | 1      | 1      | 1      | 1     |
| 76          | Washer              | 1      | 1      | 1      | 1      | 1      | 1     |

SP 1A, 1.5A, 2A model A



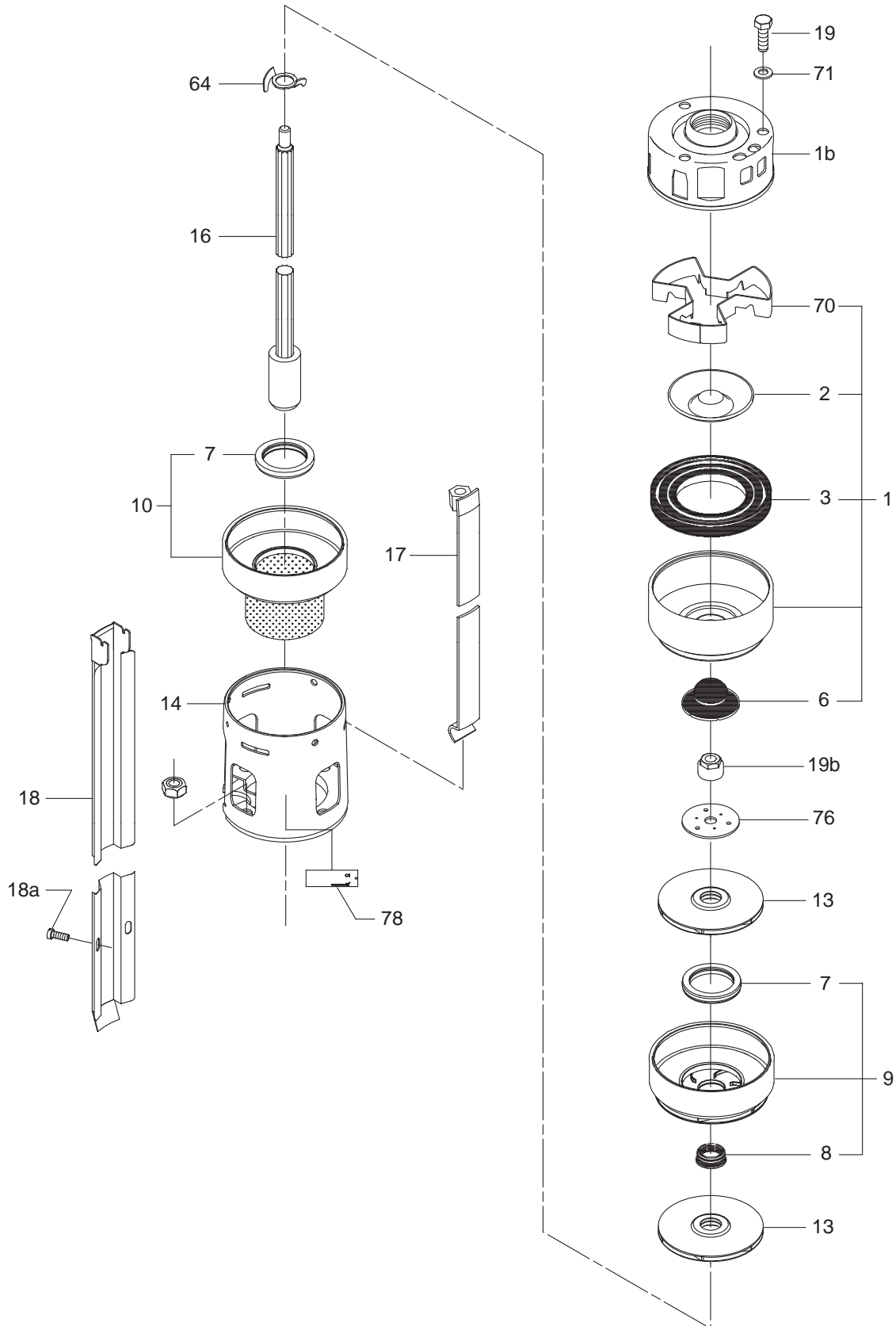
SP 1A, 1.5A, 2A model A SP

TM01 9315 1600

**SP 3A, 5A model A****50/60 Hz, Splined shaft****Wear parts**

| Kit No      | 095054      | 055008 | 055009 | 095056 | 055010 | 055011 |
|-------------|-------------|--------|--------|--------|--------|--------|
| Pos.        | 1-6         | 7-9    | 10-15  | 16-21  | 22-26  | 27-33  |
| Description |             |        |        |        |        |        |
| 3           | Valve seat  | 1      | 1      | 1      | 1      | 1      |
| 6           | Top bearing | 1      | 1      | 1      | 1      | 1      |
| 7           | Neck ring   | 6      | 9      | 15     | 21     | 33     |
| 8           | Bearing     | 6      | 9      | 15     | 21     | 33     |
| 19b         | Lock nut    | 1      | 1      | 1      | 1      | 1      |
| 70          | Valve guide | 1      | 1      | 1      | 1      | 1      |
| 76          | Washer      | 1      | 1      | 1      | 1      | 1      |

SP 3A, 5A model A



SP 3A, 5A model A SP

TM 01 9315 1600

**Cone and nut type****Wear parts****SP 3A (N), SP 5A (N)**

| Kit No      | 105543           | 105544 | 055504 | 105546 | 105547 | 105059 | 095059 | 095060 | 095061 | 095062 |       |
|-------------|------------------|--------|--------|--------|--------|--------|--------|--------|--------|--------|-------|
| Pos.        | Number of stages | -5     | 6-10   | 11-15  | 16-24  | 25-30  | 31-39  | 40-48  | 49-60  | 61-75  | 76-90 |
| Description |                  |        |        |        |        |        |        |        |        |        |       |
| 3           | Valve seat       | 1      | 1      | 1      | 1      | 1      | -      | -      | -      | -      | -     |
| 6           | Top bearing      | 1      | 1      | 1      | 1      | 1      | 1      | 1      | 1      | 1      | 1     |
| 7           | Neck ring        | 5      | 10     | 15     | 24     | 30     | 39     | 48     | 60     | 75     | 90    |
| 85          | Stop ring        | 1      | 2      | 3      | 3      | 3      | 3      | 3      | 3      | 3      | 3     |

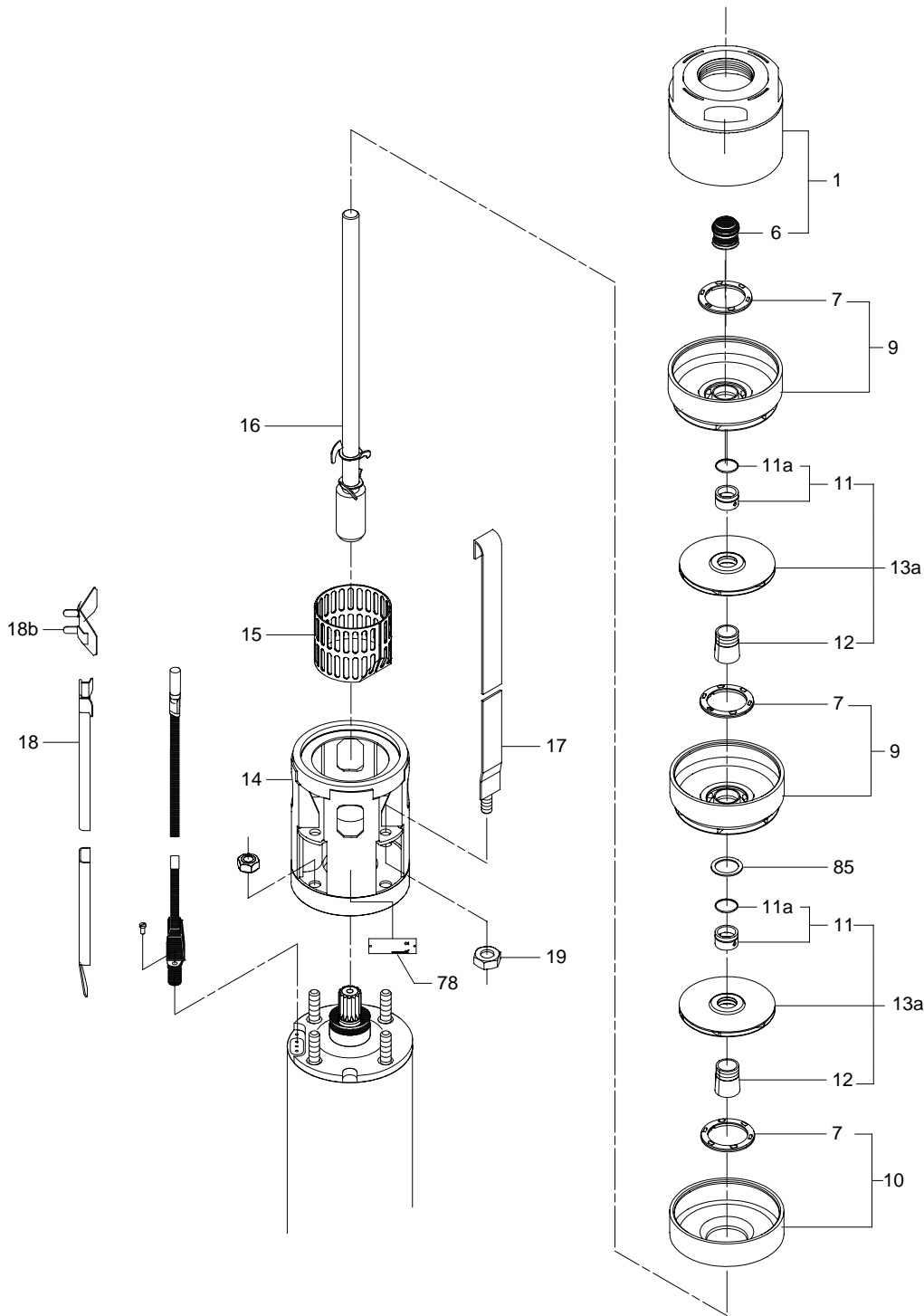
**SP 3A NE, SP 5A NE**

| Kit No      | 96440231         | 96440230 | 96440229 | 96440228 | 96440227 |     |
|-------------|------------------|----------|----------|----------|----------|-----|
| Pos.        | Number of stages | -12      | -25      | -33      | -45      | -60 |
| Description |                  |          |          |          |          |     |
| 6           | Top bearing      | 1        | 1        | 1        | 1        | 1   |
| 7           | Neck ring        | 12       | 25       | 33       | 45       | 60  |
| 85          | Stop ring        | 2        | 3        | 3        | 3        | 3   |

**SP 3A R, SP 5A R**

| Kit No      | 105969           | 105970 | 105971 | 105972 | 105973 | 105974 | 105975 | 105976 |       |
|-------------|------------------|--------|--------|--------|--------|--------|--------|--------|-------|
| Pos.        | Number of stages | -5     | 6-10   | 11-15  | 16-24  | 25-30  | 31-39  | 40-48  | 49-60 |
| Description |                  |        |        |        |        |        |        |        |       |
| 6           | Top bearing      | 1      | 1      | 1      | 1      | 1      | 1      | 1      | 1     |
| 7           | Neck ring        | 5      | 10     | 15     | 24     | 30     | 39     | 48     | 60    |
| 85          | Stop ring        | 1      | 2      | 2      | 3      | 3      | 3      | 3      | 3     |

SP 3A, 5A model A



TM01 9316 1600



**SP 8A (N) (NE) (R) model A****Wear parts****SP 8A, SP 8A R**

| Pos. | Kit No      | SP 8A before yyww 9444 |        |        |        | SP 8A and SP 8A R after yyww 9444 |          |          |          |
|------|-------------|------------------------|--------|--------|--------|-----------------------------------|----------|----------|----------|
|      |             | 115046                 | 115047 | 115048 | 115103 | 96428935                          | 96428936 | 96428937 | 96428938 |
|      |             | 5-10                   | 12-18  | 21-25  | 28-37  | 5-10                              | 12-18    | 21-25    | 28-37    |
|      | Description |                        |        |        |        |                                   |          |          |          |
| 3    | Valve seat  | 1                      | 1      | 1      | 1      | -                                 | -        | -        | -        |
| 6    | Top bearing | 1                      | 1      | 1      | 1      | 1                                 | 1        | 1        | 1        |
| 7    | Neck ring   | 10                     | 18     | 25     | 37     | 10                                | 18       | 25       | 37       |
| 8    | Bearing     | 9                      | 17     | 24     | 36     | 9                                 | 17       | 24       | 36       |

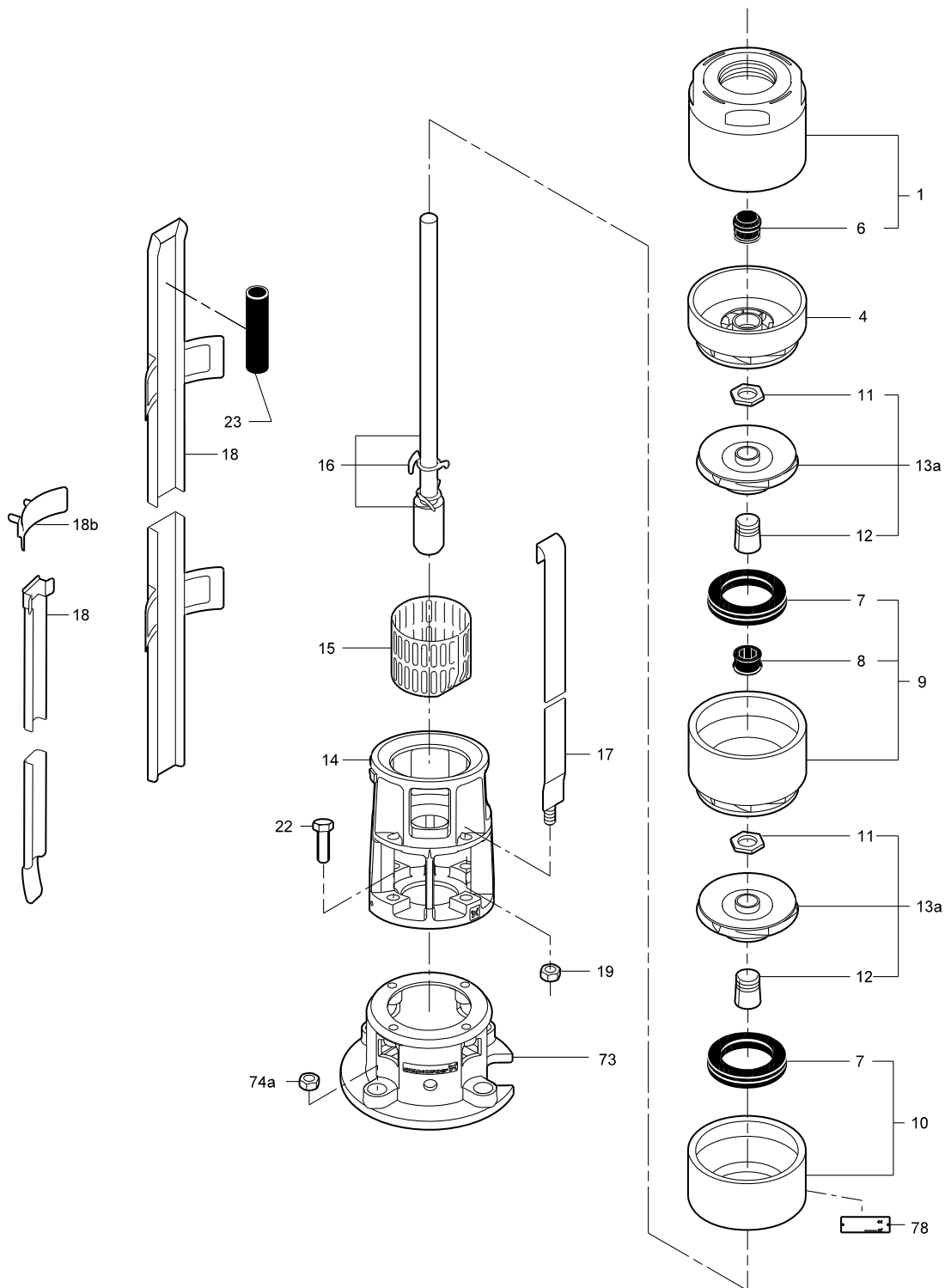
**SP 8A N**

| Pos. | Kit No      | Before yyww 9444 |        |        | SP 8A N after yyww 9444 |          |          |
|------|-------------|------------------|--------|--------|-------------------------|----------|----------|
|      |             | 115587           | 115588 | 115589 | 96428935                | 96428936 | 96428937 |
|      |             | 5-10             | 12-18  | 21-25  | 5-10                    | 12-18    | 21-25    |
|      | Description |                  |        |        |                         |          |          |
| 3    | Valve seat  | 1                | 1      | 1      | -                       | -        | -        |
| 6    | Top bearing | 1                | 1      | 1      | 1                       | 1        | 1        |
| 7    | Neck ring   | 10               | 18     | 25     | 10                      | 18       | 25       |
| 8    | Bearing     | 9                | 17     | 24     | 9                       | 17       | 24       |

**SP 8A NE**

| Pos. | Kit No      | Before yyww 9444 |        |        | After yyww 9444 |          |          |          |
|------|-------------|------------------|--------|--------|-----------------|----------|----------|----------|
|      |             | 115567           | 115568 | 115569 | 96428939        | 96428940 | 96428941 | 96441561 |
|      |             | 5-10             | 12-18  | 21-25  | 5-10            | 12-18    | 21-25    | 26-37    |
|      | Description |                  |        |        |                 |          |          |          |
| 3    | Valve seat  | -                | 1      | 1      | -               | -        | -        | 1        |
| 6    | Top bearing | 1                | 1      | 1      | 1               | 1        | 1        | 1        |
| 7    | Neck ring   | 10               | 18     | 25     | 10              | 18       | 25       | 37       |
| 85   | Stop ring   | 9                | 17     | 24     | 9               | 17       | 24       | 36       |

SP 8A (N) (NE) (R) model A



TMO1 9320 1909

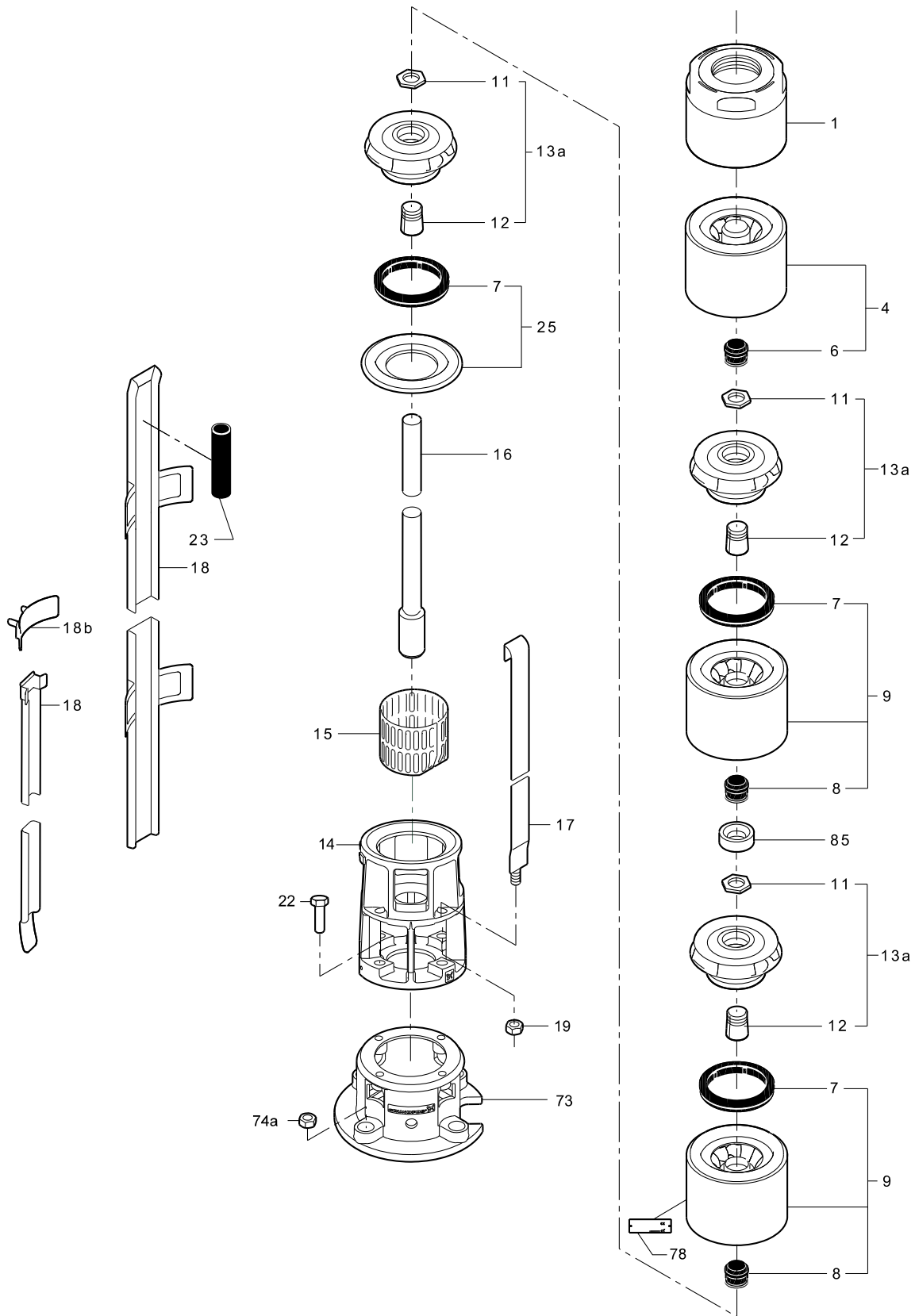
**SP 11A, 14A model A****Wear parts****SP 11A, SP 14A**

| Kit No      |                  | 075008 | 075009 | 075010 | 075011 |
|-------------|------------------|--------|--------|--------|--------|
| Pos.        | Number of stages | -5     | 7-13   | 14-18  | 20-25  |
| Description |                  |        |        |        |        |
| 3           | Valve seat       | 1      | 1      | 1      | 1      |
| 6           | Top bearing      | 1      | 1      | 1      | 1      |
| 7           | Neck ring        | 5      | 13     | 18     | 25     |
| 8           | Bearing          | 5      | 13     | 18     | 25     |
| 11          | Split cone nut   | 5      | 13     | 18     | 25     |
| 12          | Split cone       | 5      | 13     | 18     | 25     |
| 85          | Stop ring        | 1      | 1      | 1      | 1      |

**SP 14A N**

| Kit No      |                  | 075507 | 075508 | 075509 | 075510 |
|-------------|------------------|--------|--------|--------|--------|
| Pos.        | Number of stages | -5     | 7-13   | 14-18  | 20-25  |
| Description |                  |        |        |        |        |
| 7           | Neck ring        | 5      | 13     | 18     | 25     |
| 8           | Bearing          | 5      | 13     | 18     | 25     |
| 11          | Split cone nut   | 5      | 13     | 18     | 25     |
| 12          | Split cone       | 5      | 13     | 18     | 25     |
| 85          | Stop ring        | 1      | 1      | 1      | 1      |

SP 11A, 14A model A



SP 11A, 14A model A SP

TM01 9323 3809

**SP 7, 9, 11, 14****Wear parts****SP 7, 9 NBR**

| Pos.   | Kit No.             | 98766923 | 98766924 | 98766929 | 98766930 | 98766935 | 98766936 | 98766941 | 98766942 | 98766947 |
|--------|---------------------|----------|----------|----------|----------|----------|----------|----------|----------|----------|
|        | Number of stages    | 1        |          | 2-5      |          | 6-10     |          | 11-25    |          | 26-50    |
|        | Description         |          |          |          |          |          |          |          |          |          |
| 3a     | Valve seat          | 1        | 1        | 1        | 1        | 1        | 1        | 1        | 1        | 1        |
| 8      | Bearing shaft Ø12,5 | 1        | -        | 5        | -        | 10       | -        | 25       | -        | 50       |
| 8      | Bearing shaft Ø 16  | -        | 1        | -        | 5        | -        | 10       | -        | 25       | 50       |
| 7 / 68 | Seal ring           | 2        | 2        | 6        | 6        | 10       | 10       | 25       | 25       | 50       |

**SP 7, 9 FKM**

| Pos.   | Kit No.             | 98766925 | 98766926 | 98766931 | 98766932 | 98766937 | 98766938 | 98766943 | 98766944 | 98766948 |
|--------|---------------------|----------|----------|----------|----------|----------|----------|----------|----------|----------|
|        | Number of Stages    | 1        |          | 2-5      |          | 6-10     |          | 11-25    |          | 26-50    |
|        | Description         |          |          |          |          |          |          |          |          |          |
| 3a     | Valve seat          | 1        | 1        | 1        | 1        | 1        | 1        | 1        | 1        | 1        |
| 8      | Bearing shaft Ø12,5 | 1        | -        | 5        | -        | 10       | -        | 25       | -        | 50       |
| 8      | Bearing shaft Ø16   | -        | 1        | -        | 5        | -        | 10       | -        | 25       | 50       |
| 7 / 68 | Seal ring           | 2        | 2        | 6        | 6        | 11       | 11       | 26       | 26       | 51       |

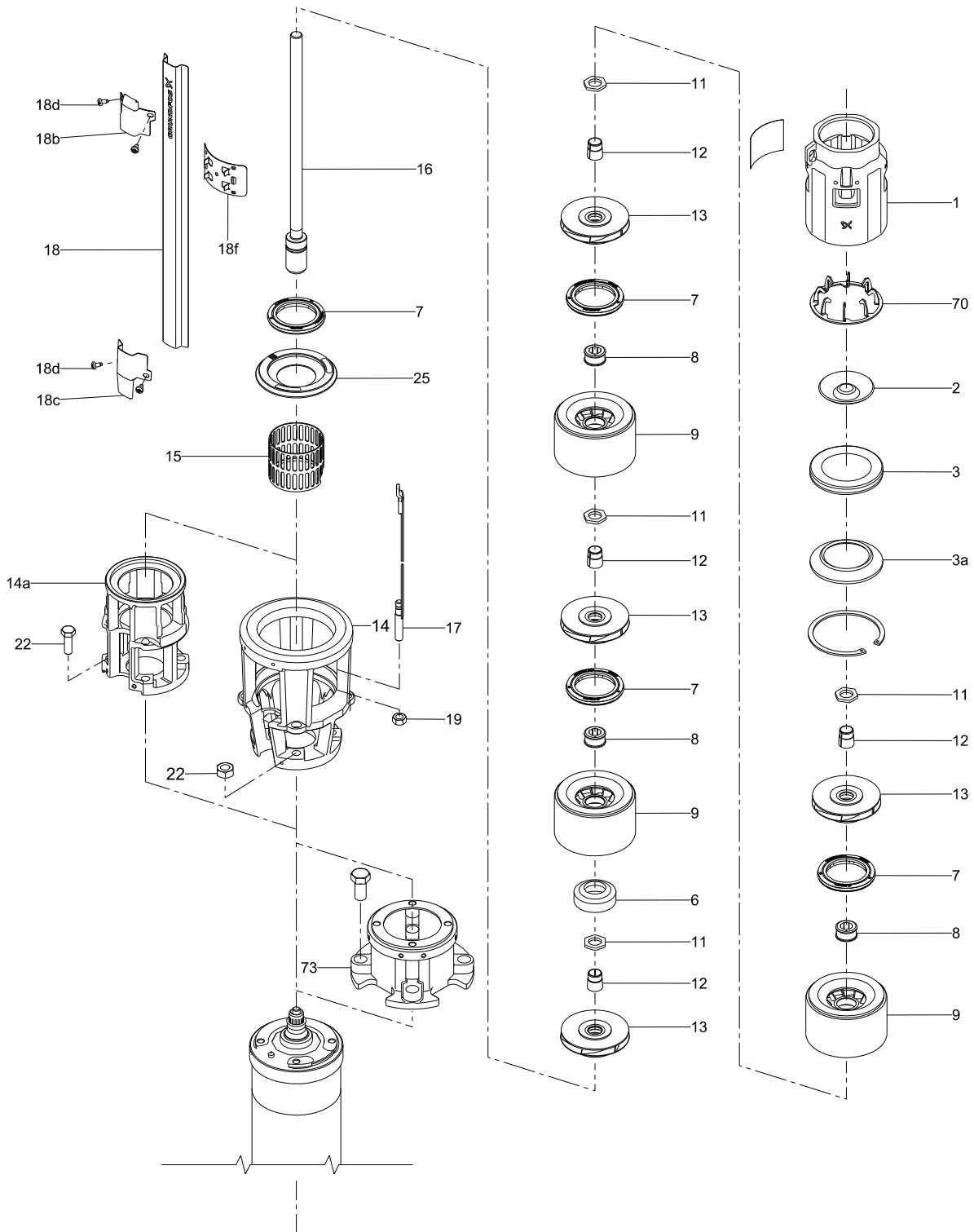
**SP 11, 14 NBR**

| Pos.   | Kit No.            | 98766927 | 98766933 | 98766939 | 98766945 |
|--------|--------------------|----------|----------|----------|----------|
|        | Number of Stages   | 1        | 5        | 10       | 25       |
|        | Description        |          |          |          |          |
| 3a     | Valve seat         | 1        | 1        | 1        | 1        |
| 8      | Bearing shaft Ø 16 | 1        | 5        | 10       | 25       |
| 7 / 68 | Seal ring          | 2        | 2        | 6        | 6        |

**SP 11, 14 FKM**

| Pos.   | Kit No.           | 98766928 | 98766934 | 98766940 | 98766946 |
|--------|-------------------|----------|----------|----------|----------|
|        | Number of Stages  | 1        | 5        | 10       | 25       |
|        | Description       |          |          |          |          |
| 3a     | Valve seat        | 1        | 1        | 1        | 1        |
| 8      | Bearing shaft Ø16 | 1        | 5        | 10       | 25       |
| 7 / 68 | Seal ring         | 2        | 6        | 11       | 26       |

SP 7, 9, 11, 14



TM06 1865 2012

## SP 17 model A

### Wear parts

#### SP 17, SP 17 N, SP 17 R

| Pos. | Kit No           | 96421723 | 96421724 | 96421725 | 96440238 | 96488045 | 96488046 |
|------|------------------|----------|----------|----------|----------|----------|----------|
|      | Number of stages | 1-5      | 6-16     | 17-26    | 27-40    | -50      | -60      |
|      | Description      |          |          |          |          |          |          |
| 3    | Valve seat       | 1        | 1        | 1        | -        | -        | -        |
| 6    | Bearing          | 1        | 1        | 1        | -        | -        | -        |
| 7    | Neck ring        | 5        | 16       | 26       | 40       | 50       | 60       |
| 8    | Bearing          | 4        | 15       | 25       | 39       | 49       | 59       |
| 8a   | Spacing washer   | 1        | 1        | 1        | 1        | 1        | 1        |
| 72   | Wear ring        | 5        | 16       | 26       | 40       | 50       | 60       |

### Impeller

| Pos.              | Pump type                        | SP 17    | SP 17 N  | SP 17 R  |
|-------------------|----------------------------------|----------|----------|----------|
|                   | Kit No                           | 97506595 | 96903203 | 96903204 |
|                   | Description                      |          |          |          |
| 11, 12,<br>13, 72 | Impeller with split cone and nut | 1        | 1        | 1        |

### Split cone with nut

| Pos. | Pump type      | SP 17    | SP 17 N  | SP 17 R  |
|------|----------------|----------|----------|----------|
|      | Kit No         | 97508279 | 96901911 | 96901953 |
|      | Description    |          |          |          |
| 11   | Split cone nut | 1        | 1        | 1        |
| 12   | Split cone     | 1        | 1        | 1        |

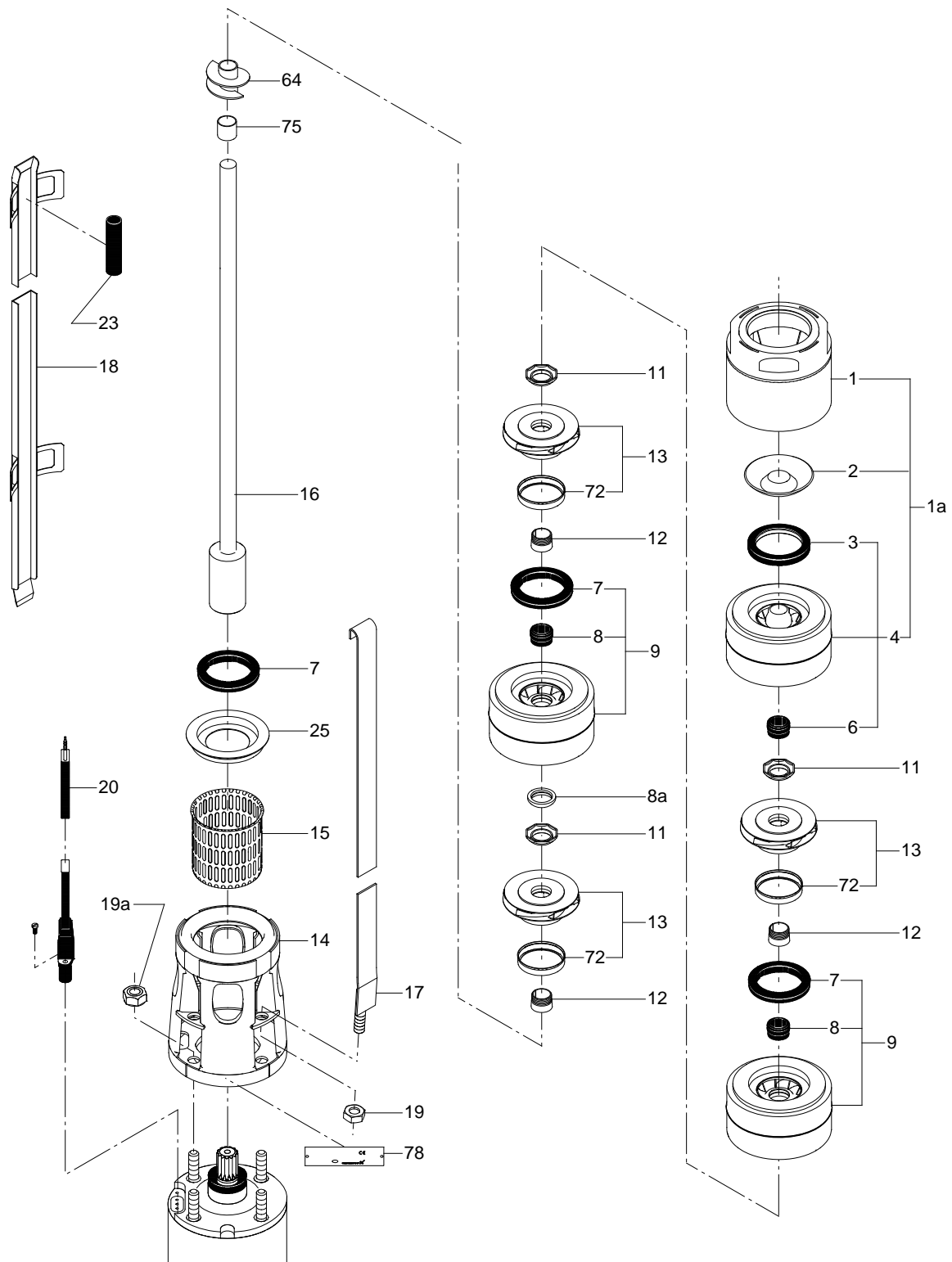
### Split cone with stop nut

| Pos. | Pump type                    | SP 17    | SP 17 N  | SP 17 R  |
|------|------------------------------|----------|----------|----------|
|      | Kit No                       | 97508314 | 96901960 | 96901961 |
|      | Description                  |          |          |          |
| 11   | Split cone nut               | 1        | 1        | 1        |
| 12   | Split cone                   | 1        | 1        | 1        |
| -    | Spacing washer for stop ring | 1        | 1        | 1        |

### Cable termination (shrink-flex)

See the SP data booklet.

SP 17 model A



TM01 2257 2301



**SP 17 model B****Wear parts, NBR****SP 17, SP 17 N, SP 17 R**

| Pos. | Kit No                | 97945520 | 97945521 | 97937872 | 97937873 | 97937874 | 97937875 | 97937876 |
|------|-----------------------|----------|----------|----------|----------|----------|----------|----------|
|      | Number of stages      | 1-5      | 6-12     | 13-19    | 20-30    | 31-40    | 41-50    | 51-60    |
|      | Description           |          |          |          |          |          |          |          |
| 3    | Valve seat            | 1        | 1        | 1        | 1        | 1        | 1        | 1        |
| 7    | Neck ring             | 5        | 12       | 19       | 30       | 40       | 50       | 60       |
| 8    | Bearing               | 5        | 12       | 19       | 30       | 40       | 50       | 60       |
| 8a   | Spacing washer        | 1        | 1        | 1        | 1        | 1        | 1        | 1        |
| 37   | O-ring                | -        | -        | -        | 1        | 1        | 1        | 1        |
| 72   | Wear ring             | 5        | 12       | 19       | 30       | 40       | 50       | 60       |
| 142a | Bearing for valve cup | 1        | 1        | 1        | 1        | 1        | 1        | 1        |

**Wear parts, FKM****SP 17, SP 17 N, SP 17 R**

| Pos. | Kit No                | 97937891 | 97937892 | 97937893 | 97937894 | 97937895 | 97937896 | 97937897 |
|------|-----------------------|----------|----------|----------|----------|----------|----------|----------|
|      | Number of stages      | 1-5      | 6-12     | 13-19    | 20-30    | 31-40    | 41-50    | 51-60    |
|      | Description           |          |          |          |          |          |          |          |
| 3    | Valve seat            | 1        | 1        | 1        | 1        | 1        | 1        | 1        |
| 7    | Neck ring             | 5        | 12       | 19       | 30       | 40       | 50       | 60       |
| 8    | Bearing               | 5        | 12       | 19       | 30       | 40       | 50       | 60       |
| 8a   | Spacing washer        | 1        | 1        | 1        | 1        | 1        | 1        | 1        |
| 37   | O-ring                | -        | -        | -        | 1        | 1        | 1        | 1        |
| 72   | Wear ring             | 5        | 12       | 19       | 30       | 40       | 50       | 60       |
| 142a | Bearing for valve cup | 1        | 1        | 1        | 1        | 1        | 1        | 1        |

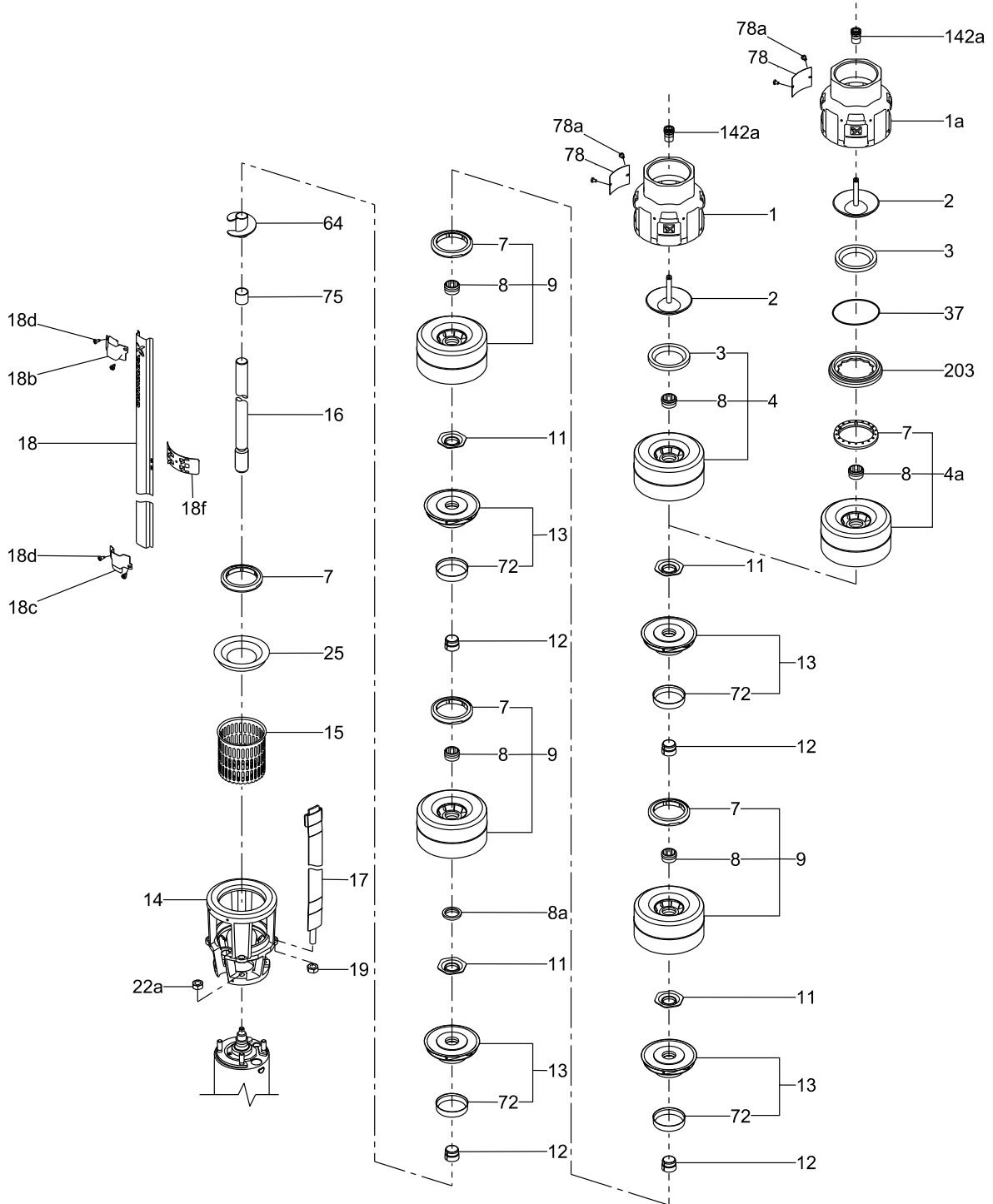
**Wear parts, Wear resistant bearing****SP 17, SP 17 N, SP 17 R**

| Pos. | Kit No                | 98098277 | 98098278 | 98098279 | 98098280 | 98098311 | 98098312 | 98098313 |
|------|-----------------------|----------|----------|----------|----------|----------|----------|----------|
|      | Number of stages      | 1-5      | 6-12     | 13-19    | 20-30    | 31-40    | 41-50    | 51-60    |
|      | Description           |          |          |          |          |          |          |          |
| 3    | Valve seat            | 1        | 1        | 1        | 1        | 1        | 1        | 1        |
| 7    | Neck ring             | 5        | 12       | 19       | 30       | 40       | 50       | 60       |
| 8    | Bearing               | 5        | 12       | 19       | 30       | 40       | 50       | 60       |
| 8a   | Spacing washer        | 1        | 1        | 1        | 1        | 1        | 1        | 1        |
| 37   | O-ring                | -        | -        | -        | 1        | 1        | 1        | 1        |
| 72   | Wear ring             | 5        | 12       | 19       | 30       | 40       | 50       | 60       |
| 142a | Bearing for valve cup | 1        | 1        | 1        | 1        | 1        | 1        | 1        |

**Cable termination (shrink-flex)**

See the SP data booklet.

SP 17 model B



TM05 5375 3612

## SP 30 model A

### Wear parts

#### SP 30, SP 30 N, SP 30 R

| Pos. | Pump type          | SP 30, SP 30 N, SP 30 R |          |          |          |          |
|------|--------------------|-------------------------|----------|----------|----------|----------|
|      | Kit No             | 96421732                | 96421733 | 96421734 | 96440246 | 96488047 |
|      | Number of stages   | 1-5                     | 6-16     | 17-27    | 28-39    | 40-54    |
|      | <b>Description</b> |                         |          |          |          |          |
| 3    | Valve seat         | 1                       | 1        | 1        | 1        | -        |
| 6    | Top bearing        | 1                       | 1        | 1        | 1        | 1        |
| 6b   | Lower bearing      | 1                       | 1        | 1        | 1        | 1        |
| 7    | Neck ring          | 5                       | 16       | 27       | 39       | 54       |
| 8    | Bearing            | 3                       | 14       | 25       | 37       | 52       |
| 8a   | Spacing washer     | 1                       | 1        | 1        | 1        | 1        |
| 8b   | Stop ring          | 1                       | 1        | 1        | 1        | 1        |
| 25   | Neck ring retainer | 1                       | 1        | 1        | 1        | 1        |
| 72   | Wear ring          | 5                       | 16       | 27       | 39       | 54       |

### Impeller

| Pos.              | Pump type                        | SP 30    | SP 30 N  | SP 30 R  |
|-------------------|----------------------------------|----------|----------|----------|
|                   | Kit No                           | 97506691 | 96903205 | 96903206 |
|                   | Description                      |          |          |          |
| 11, 12,<br>13, 72 | Impeller with split cone and nut | 1        | 1        | 1        |

### Split cone with nut

| Pos. | Pump type      | SP 30    | SP 30 N  | SP 30 R  |
|------|----------------|----------|----------|----------|
|      | Kit No         | 97509658 | 96901972 | 96901973 |
|      | Description    |          |          |          |
| 11   | Split cone nut | 1        | 1        | 1        |
| 12   | Split cone     | 1        | 1        | 1        |

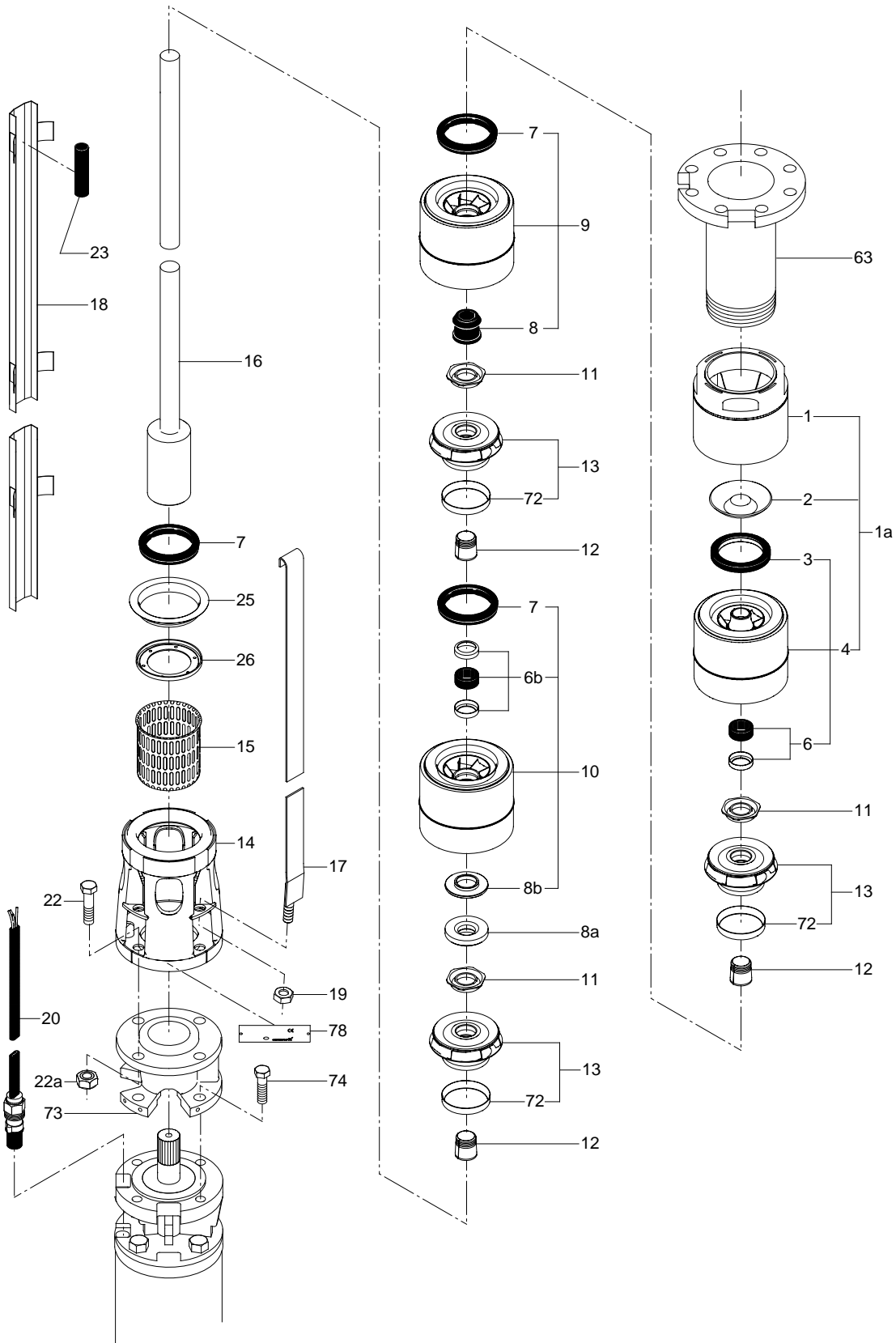
### Split cone with stop nut

| Pos. | Pump type                    | SP 30    | SP 30 N  | SP 30 R  |
|------|------------------------------|----------|----------|----------|
|      | Kit No                       | 97509673 | 96901980 | 96901981 |
|      | Description                  |          |          |          |
| 11   | Split cone nut               | 1        | 1        | 1        |
| 12   | Split cone                   | 1        | 1        | 1        |
| -    | Spacing washer for stop ring | 1        | 1        | 1        |

### Cable termination (shrink-flex)

See the SP data booklet.

SP 30 model A



SP 30 model A SP

TM01 2259 2301

**SP 30 model B****Wear parts, NBR****SP30, SP 30 N, SP 30 R**

| Pos. | Kit No                 | 97945522 | 97937877 | 97937878 | 97937879 | 97937880 |
|------|------------------------|----------|----------|----------|----------|----------|
|      | Number of stages       | 1-5      | 6-15     | 16-27    | 28-39    | 40-54    |
|      | Description            |          |          |          |          |          |
| 3    | Valve seat             | 1        | 1        | 1        | 1        | 1        |
| 6b   | Bottom bearing         | 1        | 1        | 1        | 1        | 1        |
| 6b   | Bearing cup            | 2        | 2        | 2        | 2        | 2        |
| 7    | Neck ring              | 5        | 15       | 27       | 39       | 54       |
| 8    | Bearing                | 4        | 14       | 26       | 38       | 53       |
| 8a   | Spacing washer         | 1        | 1        | 1        | 1        | 1        |
| 8b   | Stop ring              | 1        | 1        | 1        | 1        | 1        |
| 25   | Retainer for neck ring | 1        | 1        | 1        | 1        | 1        |
| 37   | O-ring                 | -        | -        | 1        | 1        | 1        |
| 72   | Wear ring              | 5        | 15       | 27       | 39       | 54       |
| 142a | Bearing for valve cup  | 1        | 1        | 1        | 1        | 1        |

**Wear parts, FKM****SP30, SP 30 N, SP 30 R**

| Pos. | Kit No                 | 97937898 | 97937899 | 97937900 | 97937901 | 97937902 |
|------|------------------------|----------|----------|----------|----------|----------|
|      | Number of stages       | 1-5      | 6-15     | 16-27    | 28-39    | 40-54    |
|      | Description            |          |          |          |          |          |
| 3    | Valve seat             | 1        | 1        | 1        | 1        | 1        |
| 6b   | Bottom bearing         | 1        | 1        | 1        | 1        | 1        |
| 6b   | Bearing cup            | 2        | 2        | 2        | 2        | 2        |
| 7    | Neck ring              | 5        | 15       | 27       | 39       | 54       |
| 8    | Bearing                | 4        | 14       | 26       | 38       | 53       |
| 8a   | Spacing washer         | 1        | 1        | 1        | 1        | 1        |
| 8b   | Stop ring              | 1        | 1        | 1        | 1        | 1        |
| 25   | Retainer for neck ring | 1        | 1        | 1        | 1        | 1        |
| 37   | O-ring                 | -        | -        | 1        | 1        | 1        |
| 72   | Wear ring              | 5        | 15       | 27       | 39       | 54       |
| 142a | Bearing for valve cup  | 1        | 1        | 1        | 1        | 1        |

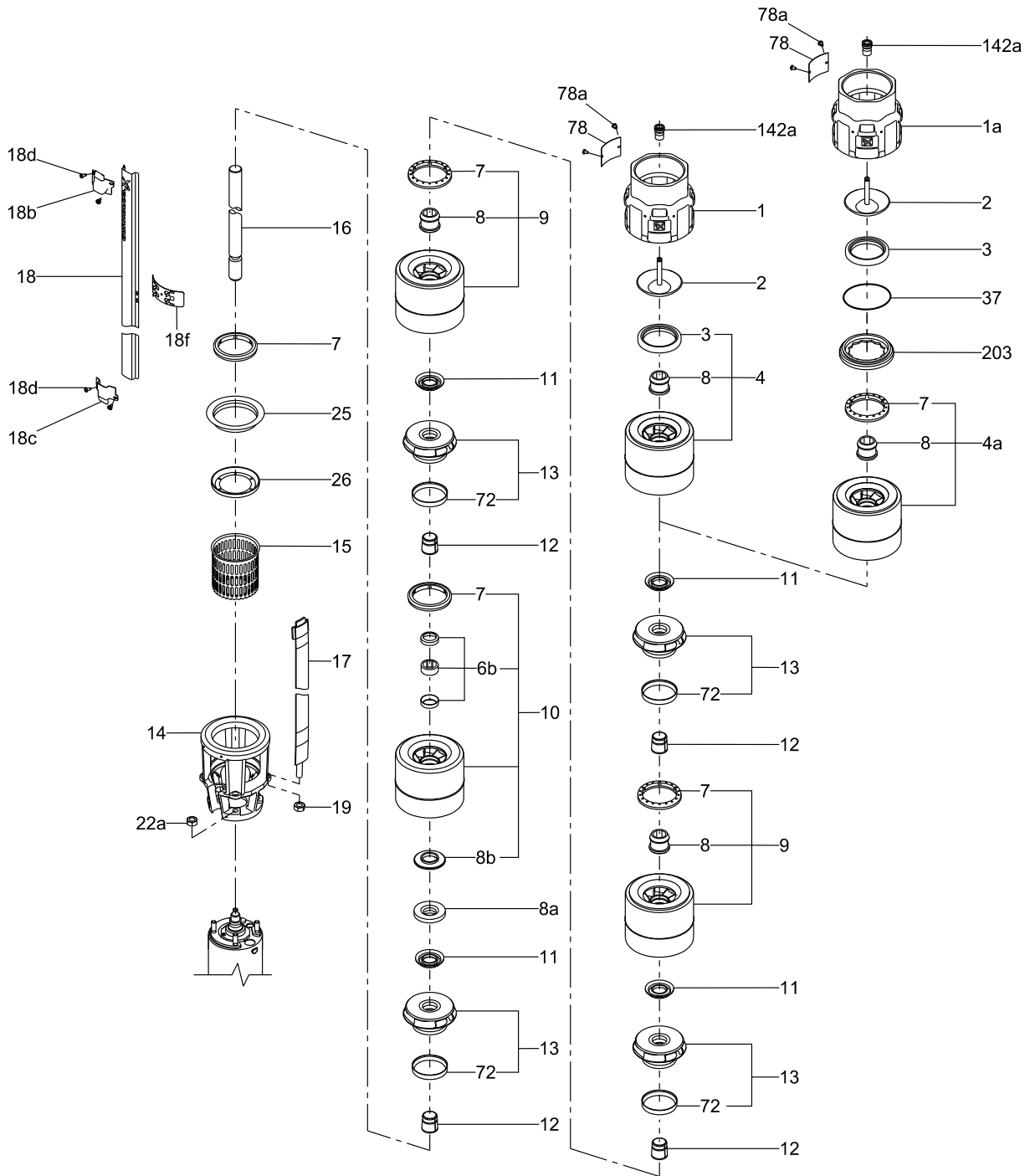
**Wear parts, Wear resistant bearing****SP30, SP 30 N, SP 30 R**

| Pos. | Kit No                 | 98098314 | 98098315 | 98098316 | 98098317 | 98098318 |
|------|------------------------|----------|----------|----------|----------|----------|
|      | Number of stages       | 1-5      | 6-15     | 16-27    | 28-39    | 40-54    |
|      | Description            |          |          |          |          |          |
| 3    | Valve seat             | 1        | 1        | 1        | 1        | 1        |
| 6b   | Bottom bearing         | 1        | 1        | 1        | 1        | 1        |
| 6b   | Bearing cup            | 2        | 2        | 2        | 2        | 2        |
| 7    | Neck ring              | 5        | 15       | 27       | 39       | 54       |
| 8    | Bearing                | 4        | 14       | 26       | 38       | 53       |
| 8a   | Spacing washer         | 1        | 1        | 1        | 1        | 1        |
| 8b   | Stop ring              | 1        | 1        | 1        | 1        | 1        |
| 25   | Retainer for neck ring | 1        | 1        | 1        | 1        | 1        |
| 37   | O-ring                 | -        | -        | 1        | 1        | 1        |
| 72   | Wear ring              | 5        | 15       | 27       | 39       | 54       |
| 142a | Bearing for valve cup  | 1        | 1        | 1        | 1        | 1        |

**Cable termination (shrink-flex)**

See the SP data booklet.

SP 30 model B



TM05 5374 3712

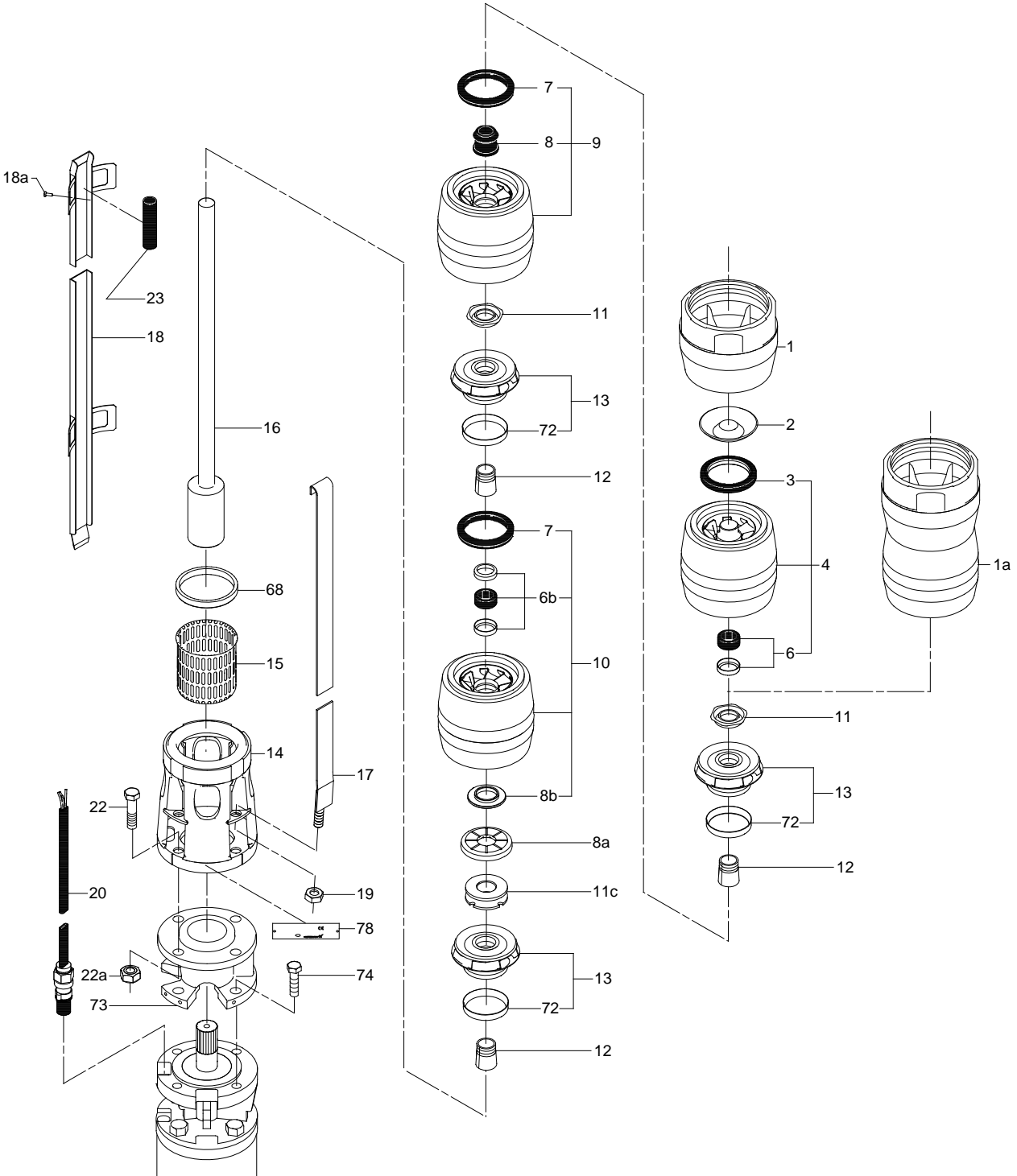
**SP 46 model A****Wear parts****SP 46, SP 46 N, SP 46 R**

| Kit No      | 96440248          | 96440250 | 96440252 | 96440254 | 96488048 |       |
|-------------|-------------------|----------|----------|----------|----------|-------|
| Pos.        | Number of stages  | 1-6      | 7-10     | 11-16    | 17-24    | 25-37 |
| Description |                   |          |          |          |          |       |
| 3           | Valve seat        | 1        | 1        | 1        | 1        | -     |
| 6           | Top bearing       | 1        | 1        | 1        | 1        | 1     |
| 6b          | Lower bearing     | 1        | 1        | 1        | 1        | 1     |
| 7           | Neck ring         | 5        | 9        | 15       | 23       | 35    |
| 8           | Bearing           | 4        | 8        | 14       | 22       | 35    |
| 8a          | Spacing washer    | 1        | 1        | 1        | 1        | 1     |
| 8b          | Stop ring         | 1        | 1        | 1        | 1        | 1     |
| 11c         | Nut for stop ring | 1        | 1        | 1        | 1        | 1     |
| 68          | Bottom neck ring  | 1        | 1        | 1        | 1        | 1     |
| 72          | Wear ring         | 6        | 10       | 16       | 24       | 37    |

**Cable termination (shrink-flex)**

See the SP data booklet.

SP 46 model A



SP 46 model A SP

TM00 5474 4000



**SP 46 model B****Wear parts, NBR****SP 46, SP 46 N, SP 46 R**

| Pos. | Kit No                | 97937881 | 97937882 | 97937883 | 97937884 | 97937885 |
|------|-----------------------|----------|----------|----------|----------|----------|
|      | Number of stages      | 1-6      | 7-12     | 13-18    | 19-24    | 25-37    |
|      | Description           |          |          |          |          |          |
| 3    | Valve seat            | 1        | 1        | 1        | 1        | 1        |
| 6b   | Bottom bearing        | 1        | 1        | 1        | 1        | 1        |
| 6b   | Bearing cup           | 2        | 2        | 2        | 2        | 2        |
| 7    | Neck ring             | 5        | 11       | 17       | 23       | 36       |
| 8    | Bearing               | 5        | 11       | 17       | 23       | 36       |
| 8a   | Spacing washer        | 1        | 1        | 1        | 1        | 1        |
| 8b   | Stop ring             | 1        | 1        | 1        | 1        | 1        |
| 11c  | Nut for stop ring     | 1        | 1        | 1        | 1        | 1        |
| 37   | O-ring                | -        | -        | 1        | 1        | 1        |
| 68   | Lower neck ring       | 1        | 1        | 1        | 1        | 1        |
| 72   | Wear ring             | 6        | 12       | 18       | 24       | 37       |
| 142a | Bearing for valve cup | 1        | 1        | 1        | 1        | 1        |

**Wear parts, FKM****SP 46, SP 46 N, SP 46 R**

| Pos. | Kit No                | 97937903 | 97937904 | 97937905 | 97937906 | 97937907 |
|------|-----------------------|----------|----------|----------|----------|----------|
|      | Number of stages      | 1-6      | 7-12     | 13-18    | 19-24    | 25-37    |
|      | Description           |          |          |          |          |          |
| 3    | Valve seat            | 1        | 1        | 1        | 1        | 1        |
| 6b   | Bottom bearing        | 1        | 1        | 1        | 1        | 1        |
| 6b   | Bearing cup           | 2        | 2        | 2        | 2        | 2        |
| 7    | Neck ring             | 5        | 11       | 17       | 23       | 35       |
| 8    | Bearing               | 5        | 11       | 17       | 23       | 36       |
| 8a   | Spacing washer        | 1        | 1        | 1        | 1        | 1        |
| 8b   | Stop ring             | 1        | 1        | 1        | 1        | 1        |
| 11c  | Nut for stop ring     | 1        | 1        | 1        | 1        | 1        |
| 37   | O-ring                | -        | -        | 1        | 1        | 1        |
| 68   | Lower neck ring       | 1        | 1        | 1        | 1        | 1        |
| 72   | Wear ring             | 6        | 12       | 18       | 24       | 37       |
| 142a | Bearing for valve cup | 1        | 1        | 1        | 1        | 1        |

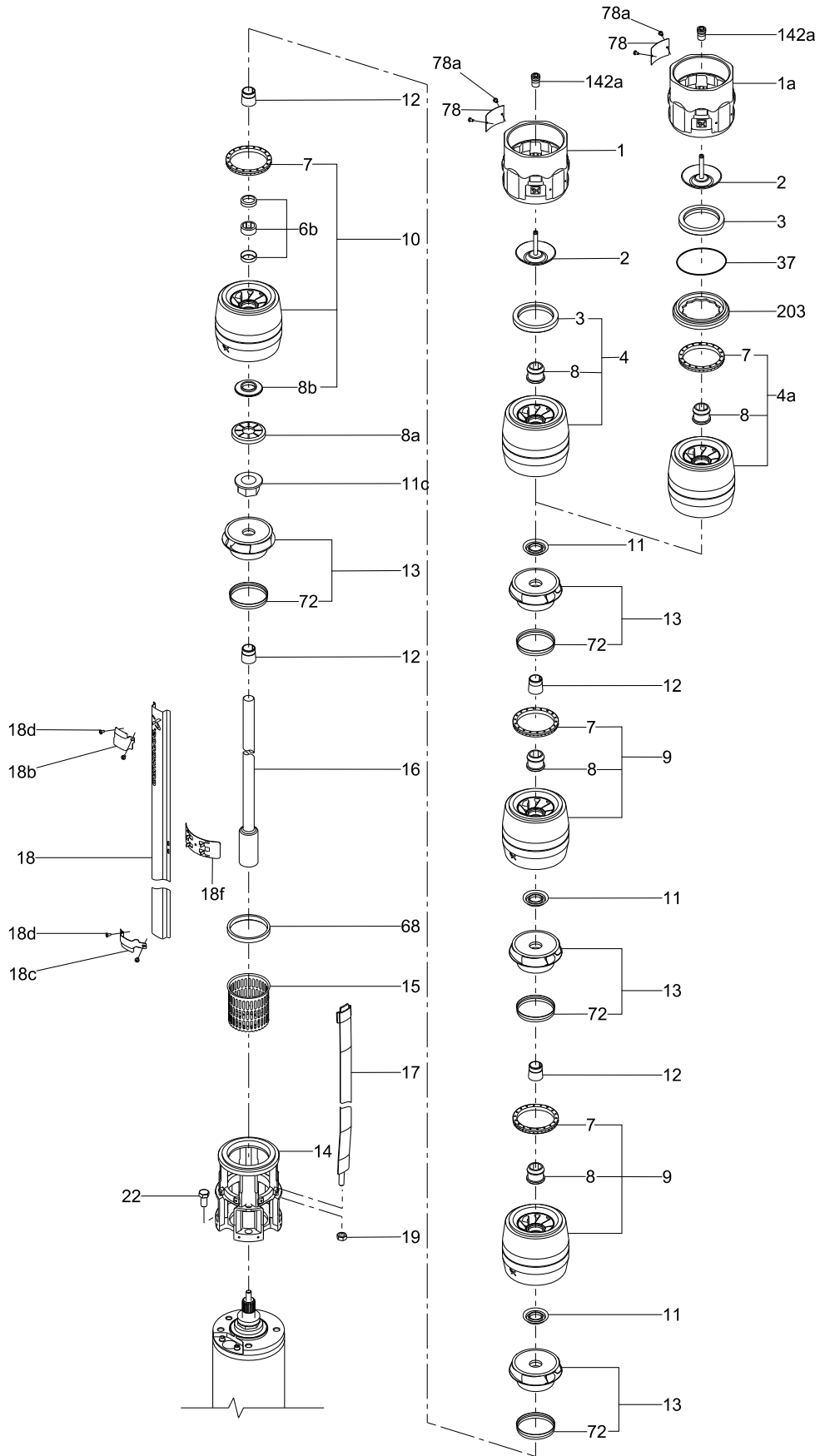
**Wear parts, wear-resistant bearing****SP 46, SP 46 N, SP 46 R**

| Pos. | Kit No                | 98098319 | 98098320 | 98098321 | 98098322 | 98098323 |
|------|-----------------------|----------|----------|----------|----------|----------|
|      | Number of stages      | 1-6      | 7-12     | 13-18    | 19-24    | 25-37    |
|      | Description           |          |          |          |          |          |
| 3    | Valve seat            | 1        | 1        | 1        | 1        | 1        |
| 6b   | Bottom bearing        | 1        | 1        | 1        | 1        | 1        |
| 6b   | Bearing cup           | 2        | 2        | 2        | 2        | 2        |
| 7    | Neck ring             | 5        | 11       | 17       | 23       | 36       |
| 8    | Bearing               | 5        | 11       | 17       | 23       | 36       |
| 8a   | Spacing washer        | 1        | 1        | 1        | 1        | 1        |
| 8b   | Stop ring             | 1        | 1        | 1        | 1        | 1        |
| 11c  | Nut for stop ring     | 1        | 1        | 1        | 1        | 1        |
| 37   | O-ring                | -        | -        | 1        | 1        | 1        |
| 68   | Lower neck ring       | 1        | 1        | 1        | 1        | 1        |
| 72   | Wear ring             | 6        | 12       | 18       | 24       | 37       |
| 142a | Bearing for valve cup | 1        | 1        | 1        | 1        | 1        |

**Cable termination (shrink-flex)**

See the SP data booklet.

SP 46 model B



SP 46 model B SP

TM05 4238 2012

**SP 60 model A****Wear parts****SP 60, SP 60 N, SP 60 R**

| Kit No      |                   | 96440369 | 96440371 | 96440373 | 96440375 | 96488049 |
|-------------|-------------------|----------|----------|----------|----------|----------|
| Pos.        | Number of stages  | 1-6      | 7-10     | 11-16    | 17-22    | 23-30    |
| Description |                   |          |          |          |          |          |
| 3           | Valve seat        | 1        | 1        | 1        | -        | -        |
| 6           | Top bearing       | 1        | 1        | 1        | -        | 1        |
| 6b          | Lower bearing     | 1        | 1        | 1        | 1        | 1        |
| 7           | Neck ring         | 5        | 9        | 15       | 21       | 29       |
| 8           | Bearing           | 4        | 8        | 14       | 20       | 28       |
| 8a          | Spacing washer    | 1        | 1        | 1        | 1        | 1        |
| 8b          | Stop ring         | 1        | 1        | 1        | 1        | 1        |
| 11c         | Nut for stop ring | 1        | 1        | 1        | 1        | 1        |
| 68          | Bottom neck ring  | 1        | 1        | 1        | 1        | 1        |
| 72          | Wear ring         | 6        | 10       | 16       | 22       | 30       |

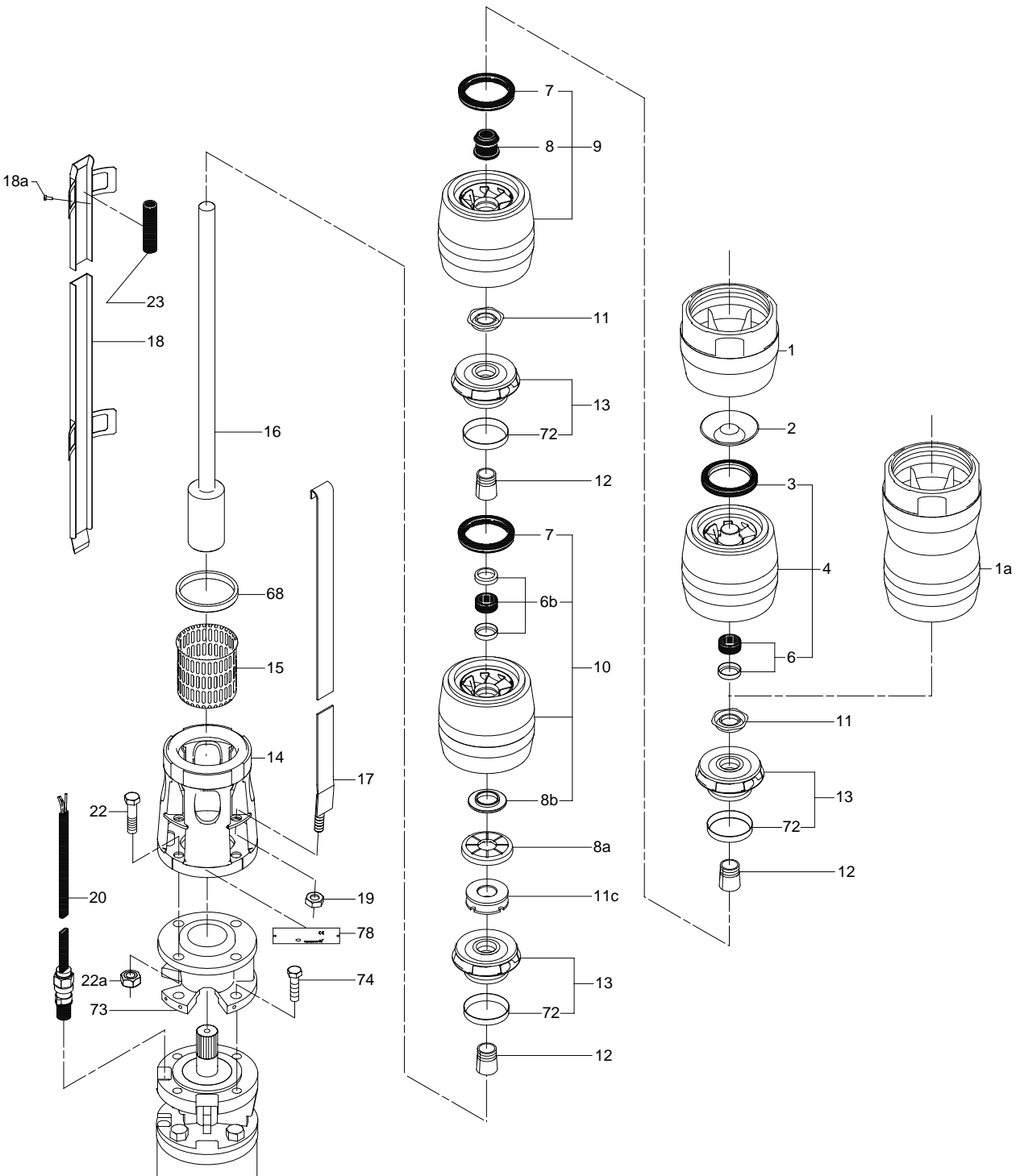
**Wear parts****SP 60 NES**

| Kit No      |                   | 96440370 | 96440372 | 96440374 | 96440376 |
|-------------|-------------------|----------|----------|----------|----------|
| Pos.        | Number of stages  | 1-6      | 7-10     | 11-16    | 17-22    |
| Description |                   |          |          |          |          |
| 3           | Valve seat        | 1        | 1        | 1        | -        |
| 6           | Top bearing       | 1        | 1        | 1        | -        |
| 6b          | Lower bearing     | 1        | 1        | 1        | 1        |
| 7           | Neck ring         | 5        | 9        | 15       | 21       |
| 8           | Bearing           | 4        | 8        | 14       | 20       |
| 8a          | Spacing washer    | 1        | 1        | 1        | 1        |
| 8b          | Stop ring         | 1        | 1        | 1        | 1        |
| 11c         | Nut for stop ring | 1        | 1        | 1        | 1        |
| 68          | Bottom neck ring  | 1        | 1        | 1        | 1        |
| 72          | Wear ring         | 6        | 10       | 16       | 22       |

**Cable termination (shrink-flex)**

See the SP data booklet.

SP 60 model A



TM00 5474 4000

SP 60 model A SP

**SP 60 model B****Wear parts, NBR****SP 60, SP 60 N, SP 60 R**

| Pos. | Kit No                | 97937886 | 97937887 | 97937888 | 97937889 | 97937890 |
|------|-----------------------|----------|----------|----------|----------|----------|
|      | Number of stages      | 1-6      | 7-12     | 13-18    | 19-24    | 25-30    |
|      | Description           |          |          |          |          |          |
| 3    | Valve seat            | 1        | 1        | 1        | 1        | 1        |
| 6b   | Bottom bearing        | 1        | 1        | 1        | 1        | 1        |
| 6b   | Bearing cup           | 2        | 2        | 2        | 2        | 2        |
| 7    | Neck ring             | 5        | 11       | 17       | 23       | 29       |
| 8    | Bearing               | 5        | 11       | 17       | 23       | 29       |
| 8a   | Spacing washer        | 1        | 1        | 1        | 1        | 1        |
| 8b   | Stop ring             | 1        | 1        | 1        | 1        | 1        |
| 11c  | Nut for stop ring     | 1        | 1        | 1        | 1        | 1        |
| 37   | O-ring                | -        | -        | 1        | 1        | 1        |
| 68   | Lower neck ring       | 1        | 1        | 1        | 1        | 1        |
| 72   | Wear ring             | 6        | 12       | 18       | 24       | 30       |
| 142a | Bearing for valve cup | 1        | 1        | 1        | 1        | 1        |

**Wear parts, FKM****SP 60, SP 60 N, SP 60 R**

| Pos. | Kit No                | 97937908 | 97937909 | 97937910 | 97937911 | 97937912 |
|------|-----------------------|----------|----------|----------|----------|----------|
|      | Number of stages      | 1-6      | 7-12     | 13-18    | 19-24    | 25-30    |
|      | Description           |          |          |          |          |          |
| 3    | Valve seat            | 1        | 1        | 1        | 1        | 1        |
| 6b   | Bottom bearing        | 1        | 1        | 1        | 1        | 1        |
| 6b   | Bearing cup           | 2        | 2        | 2        | 2        | 2        |
| 7    | Neck ring             | 5        | 11       | 17       | 23       | 29       |
| 8    | Bearing               | 5        | 11       | 17       | 23       | 29       |
| 8a   | Spacing washer        | 1        | 1        | 1        | 1        | 1        |
| 8b   | Stop ring             | 1        | 1        | 1        | 1        | 1        |
| 11c  | Nut for stop ring     | 1        | 1        | 1        | 1        | 1        |
| 37   | O-ring                | -        | -        | 1        | 1        | 1        |
| 68   | Lower neck ring       | 1        | 1        | 1        | 1        | 1        |
| 72   | Wear ring             | 6        | 12       | 18       | 24       | 30       |
| 142a | Bearing for valve cup | 1        | 1        | 1        | 1        | 1        |

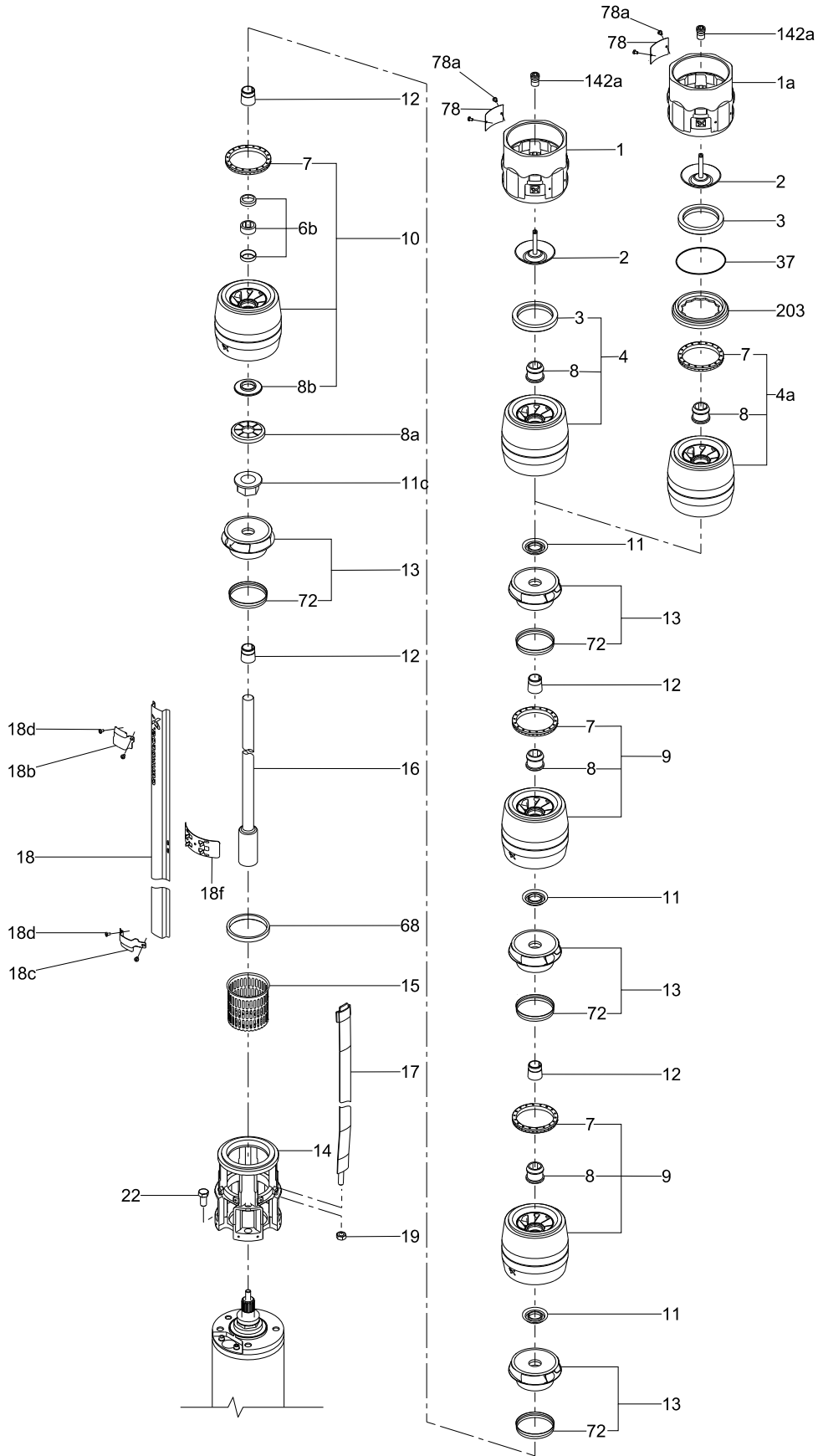
**Wear parts, wear-resistant bearing****SP 60, SP 60 N, SP 60 R**

| Pos. | Kit No                | 98098324 | 98098325 | 98098326 | 98098327 | 98098328 |
|------|-----------------------|----------|----------|----------|----------|----------|
|      | Number of stages      | 1-6      | 7-12     | 13-18    | 19-24    | 25-30    |
|      | Description           |          |          |          |          |          |
| 3    | Valve seat            | 1        | 1        | 1        | 1        | 1        |
| 6b   | Bottom bearing        | 1        | 1        | 1        | 1        | 1        |
| 6b   | Bearing cup           | 2        | 2        | 2        | 2        | 2        |
| 7    | Neck ring             | 5        | 11       | 17       | 23       | 29       |
| 8    | Bearing               | 5        | 11       | 17       | 23       | 29       |
| 8a   | Spacing washer        | 1        | 1        | 1        | 1        | 1        |
| 8b   | Stop ring             | 1        | 1        | 1        | 1        | 1        |
| 11c  | Nut for stop ring     | 1        | 1        | 1        | 1        | 1        |
| 37   | O-ring                | -        | -        | 1        | 1        | 1        |
| 68   | Lower neck ring       | 1        | 1        | 1        | 1        | 1        |
| 72   | Wear ring             | 6        | 12       | 18       | 24       | 30       |
| 142a | Bearing for valve cup | 1        | 1        | 1        | 1        | 1        |

**Cable termination (shrink-flex)**

See the SP data booklet.

SP 60 model B



SP 60 model B SP

TM05 4238 2012

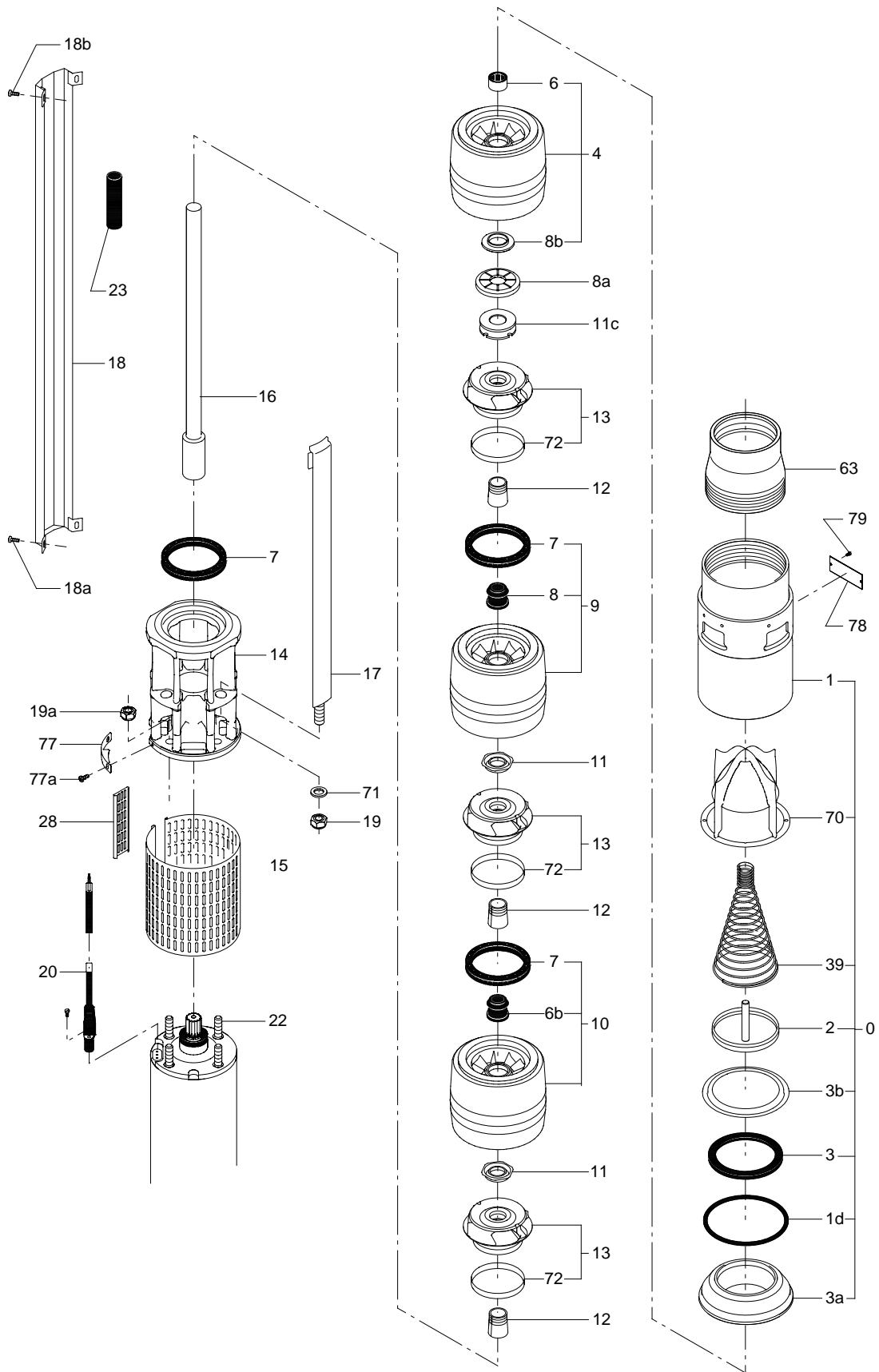
**SP 77 model C, SP 95 model B****Wear parts**

| Pos. | Pump type<br>Kit No            | SP 77, SP 77 N, SP 77 R |          |          | SP 95, SP 95 N, SP 95 R |          |          |
|------|--------------------------------|-------------------------|----------|----------|-------------------------|----------|----------|
|      |                                | 96440256                | 96440258 | 96440260 | 96440715                | 96440716 | 96440717 |
|      | Description / number of stages | 1-8                     | 9-14     | 15-22    | 1-8                     | 9-14     | 15-20    |
| 1d   | O-ring                         | 1                       | 1        | 1        | 1                       | 1        | 1        |
| 3    | Valve seat                     | 1                       | 1        | 1        | 1                       | 1        | 1        |
| 6    | Bearing                        | 1                       | 1        | 1        | 1                       | 1        | 1        |
| 7    | Neck ring                      | 7                       | 13       | 21       | 7                       | 13       | 19       |
| 8    | Bearing                        | 7                       | 13       | 21       | 7                       | 13       | 19       |
| 8a   | Spacing washer                 | 1                       | 1        | 1        | 1                       | 1        | 1        |
| 8b   | Stop ring                      | 1                       | 1        | 1        | 1                       | 1        | 1        |
| 11c  | Nut for stop ring              | 1                       | 1        | 1        | 1                       | 1        | 1        |
| 72   | Wear ring                      | 8                       | 14       | 22       | 8                       | 14       | 20       |

**Cable termination (shrink-flex)**

See the SP data booklet.

SP 77 model C, SP 95 model B



SP 77 model C, SP 95 model B SP

TM01 2358 2301



**SP 125 model C, D****50/60 Hz****Impeller**

| Pos.              | Pump type         | SP 125   | SP 125 N | SP 125 R |
|-------------------|-------------------|----------|----------|----------|
|                   | Kit No            | 97506694 | 96903234 | 96903235 |
| Description       |                   |          |          |          |
| 11, 12,<br>13, 72 | Impeller complete | 1        | 1        | 1        |

**Reduced-impeller**

| Pos.              | Pump type                 | SP 125   | SP 125 N | SP 125 R |
|-------------------|---------------------------|----------|----------|----------|
|                   | Kit No                    | 97506727 | 96907105 | 96907107 |
| Description       |                           |          |          |          |
| 11, 12,<br>13, 72 | Reduced impeller complete | 1        | 1        | 1        |

**Split cone with nut**

| Pos.        | Pump type      | SP 125   | SP 125 N | SP 125 R |
|-------------|----------------|----------|----------|----------|
|             | Kit No         | 96903149 | 96903149 | 96903172 |
| Description |                |          |          |          |
| 11          | Split cone nut | 1        | 1        | 1        |
| 12          | Split cone     | 1        | 1        | 1        |

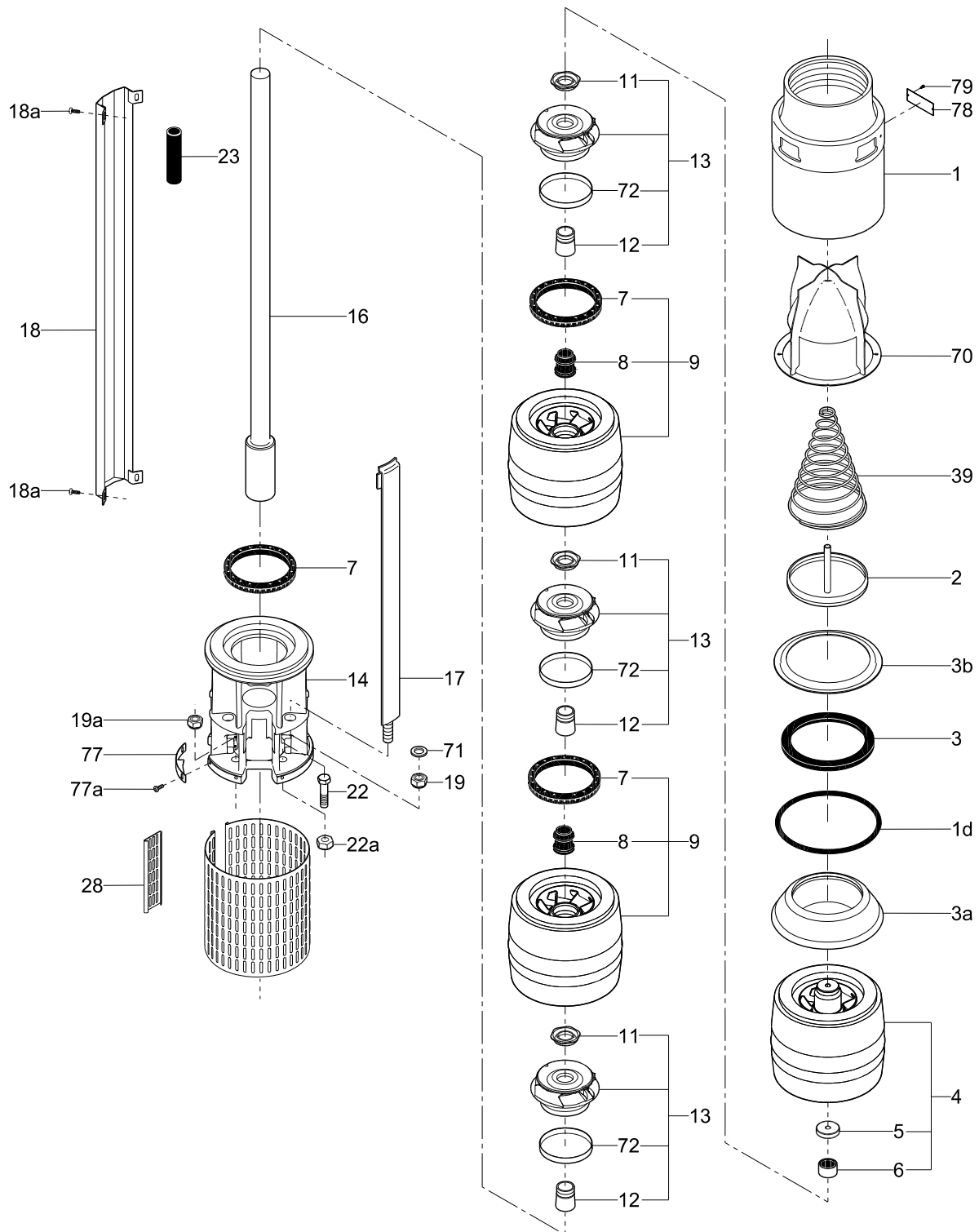
**Wear parts****SP 125, SP 125 N, SP 125 R**

| Pos. | Kit No                         | 96440262 | 96440264 | 96440266 | 96488080 |
|------|--------------------------------|----------|----------|----------|----------|
|      | Description / number of stages | 1-4      | 5-6      | 7-10     | 11-17    |
| 1d   | O-ring                         | 1        | 1        | 1        | 1        |
| 3    | Valve seat                     | 1        | 1        | 1        | 1        |
| 5    | Stop disc                      | 1        | 1        | 1        | 1        |
| 6    | Top bearing                    | 1        | 1        | 1        | 1        |
| 7    | Neck ring                      | 3        | 5        | 9        | 16       |
| 8    | Bearing                        | 3        | 5        | 9        | 16       |
| 72   | Wear ring                      | 4        | 6        | 10       | 17       |

**Cable termination (shrink-flex)**

See the SP data booklet.

SP 125 model C, D



TM01 2360 3709

**SP 160 model A, B****50/60 Hz****Impeller**

|                   | Pump type         | SP 160   | SP 160 N | SP 160 R |
|-------------------|-------------------|----------|----------|----------|
| Pos.              | Kit No            | 97508270 | 96903236 | 96903237 |
|                   | Description       |          |          |          |
| 11, 12,<br>13, 72 | Impeller complete | 1        | 1        | 1        |

**Reduced-impeller**

|                   | Pump type                 | SP 160   | SP 160 N | SP 160 R |
|-------------------|---------------------------|----------|----------|----------|
| Pos.              | Kit No                    | 97508275 | 96907108 | 96907109 |
|                   | Description               |          |          |          |
| 11, 12,<br>13, 72 | Reduced impeller complete | 1        | 1        | 1        |

**Split cone with nut**

|      | Pump type      | SP 160   | SP 160 N | SP 160 R |
|------|----------------|----------|----------|----------|
| Pos. | Kit No         | 96903149 | 96903149 | 96903172 |
|      | Description    |          |          |          |
| 11   | Split cone nut | 1        | 1        | 1        |
| 12   | Split cone     | 1        | 1        | 1        |

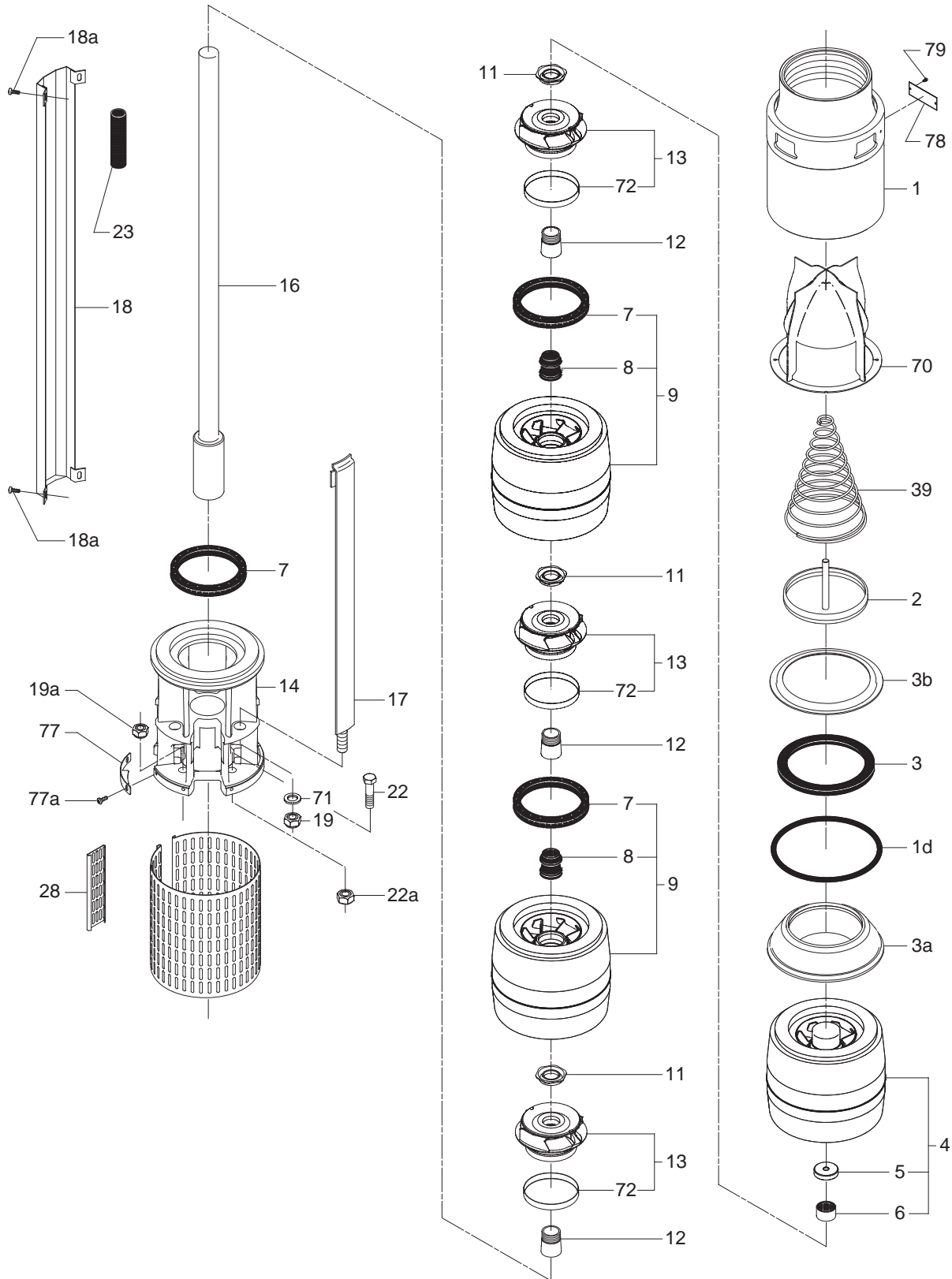
**Wear parts****SP 160, SP 160 N, SP 160 R**

| Pos. | Kit No                         | 205117 | 205118 | 96488081 |
|------|--------------------------------|--------|--------|----------|
|      | Description / number of stages | 1-5    | 6-9    | 10-15    |
| 1d   | O-ring                         | 1      | 1      | 1        |
| 3    | Valve seat                     | 1      | 1      | 1        |
| 5    | Stop disc                      | 1      | 1      | 1        |
| 6    | Top bearing                    | 1      | 1      | 1        |
| 7    | Neck ring                      | 4      | 8      | 14       |
| 8    | Bearing                        | 4      | 8      | 14       |
| 72   | Wear ring                      | 5      | 9      | 15       |

**Cable termination (shrink-flex)**

See the SP data booklet.

SP 160 model A, B



TM01 2360 2301

**SP 215 model B, C****50/60 Hz****Impeller**

| Pos.              | Pump type         | SP 215   | SP 215 N | SP 215 R |
|-------------------|-------------------|----------|----------|----------|
|                   | Kit No            | 97508277 | 96903238 | 96903239 |
| Description       |                   |          |          |          |
| 11, 12,<br>13, 72 | Impeller complete | 1        | 1        | 1        |

**Reduced-impeller**

| Pos.              | Pump type                 | SP 215   | SP 215 N | SP 215 R |
|-------------------|---------------------------|----------|----------|----------|
|                   | Kit No                    | 97508278 | 96907110 | 96907111 |
| Description       |                           |          |          |          |
| 11, 12,<br>13, 72 | Reduced impeller complete | 1        | 1        | 1        |

**Split cone with nut**

| Pos.        | Pump type      | SP 215   | SP 215 N | SP 215 R |
|-------------|----------------|----------|----------|----------|
|             | Kit No         | 97524682 | 96903175 | 96903176 |
| Description |                |          |          |          |
| 11          | Split cone nut | 1        | 1        | 1        |
| 12          | Split cone     | 1        | 1        | 1        |

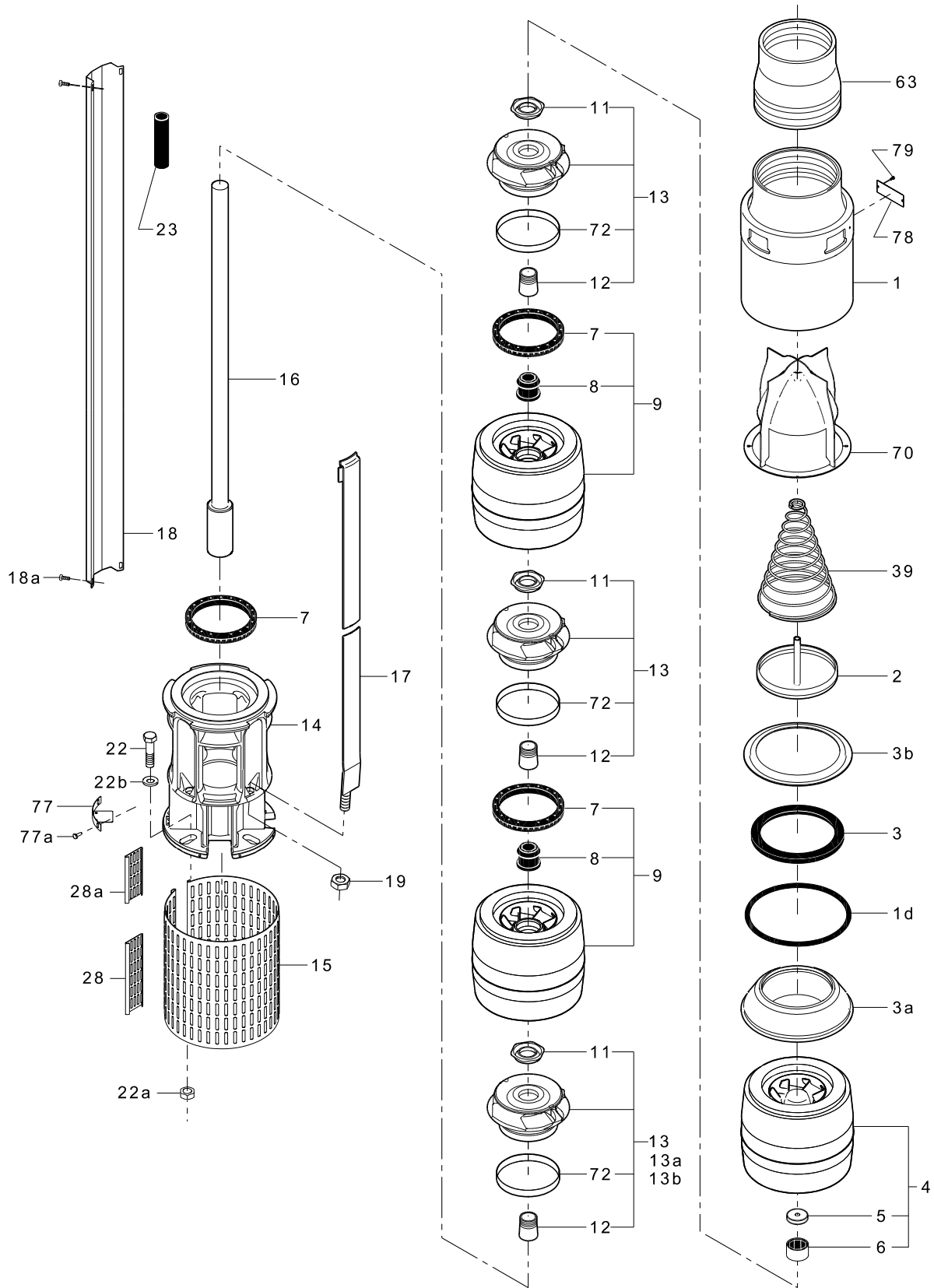
**Wear parts****SP 215, SP 215 N, SP 215 R**

| Pos.        | Kit No           | 185033 | 185034 | 185035 | 185036 |
|-------------|------------------|--------|--------|--------|--------|
|             | Number of stages | 1-2    | 3-4    | 5-7    | 8-11   |
| Description |                  |        |        |        |        |
| 1d          | O-ring           | 1      | 1      | 1      | 1      |
| 3           | Valve seat       | 1      | 1      | 1      | 1      |
| 5           | Stop disc        | 1      | 1      | 1      | 1      |
| 6           | Top bearing      | 1      | 1      | 1      | 1      |
| 7           | Neck ring        | 1      | 3      | 6      | 10     |
| 8           | Bearing          | 1      | 3      | 6      | 10     |
| 72          | Wear ring        | 2      | 4      | 7      | 11     |

**Cable termination (shrink-flex)**

See the SP data booklet.

SP 215 model B, C



SP 215 model B, C SP

TM01 2362 4109