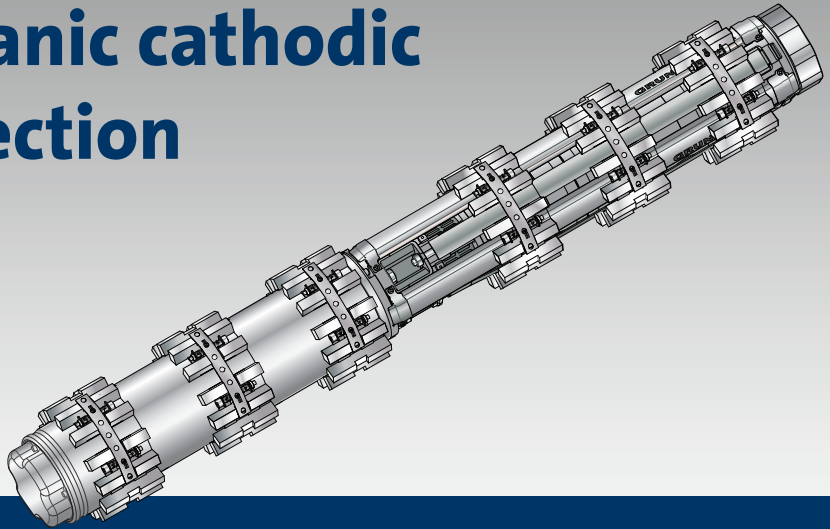
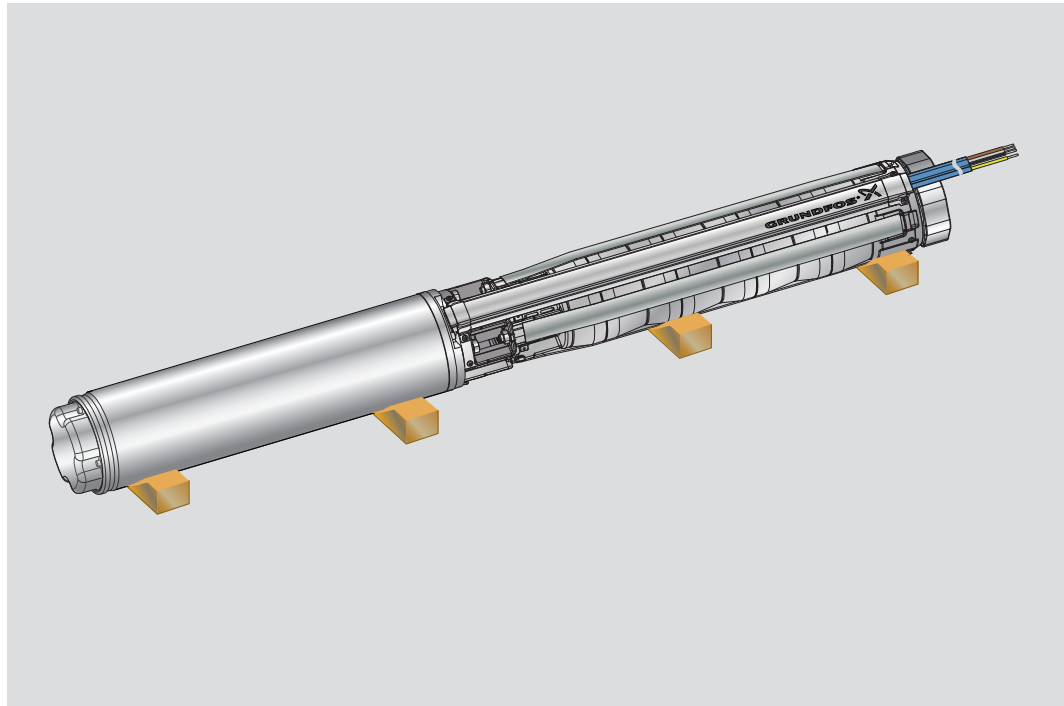
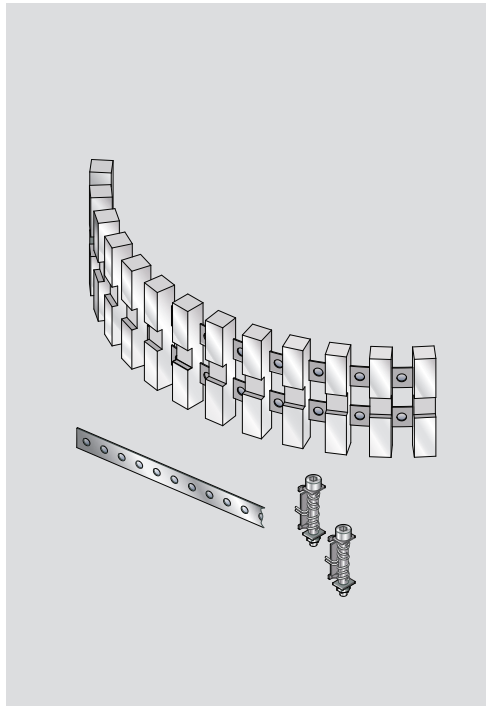
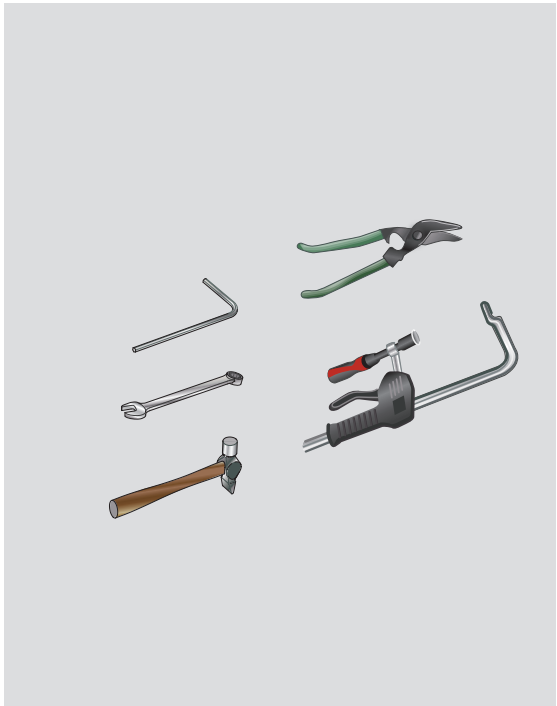
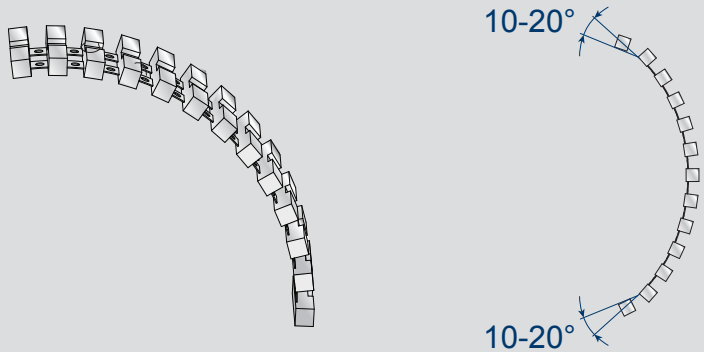


Galvanic cathodic protection

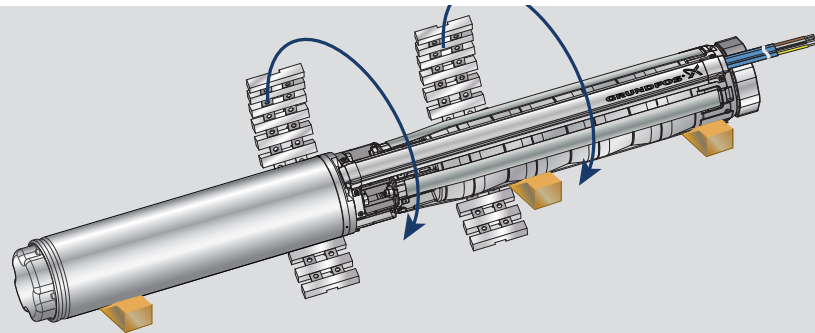




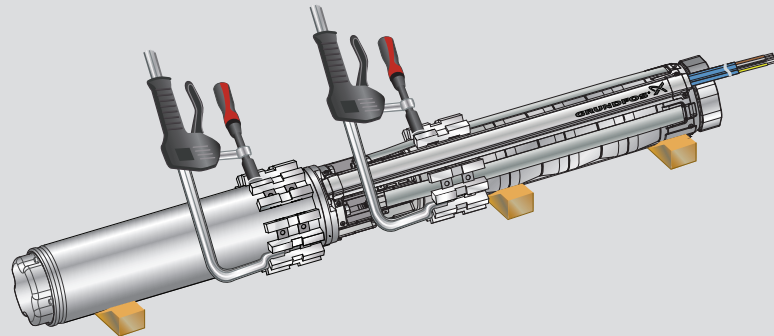
1



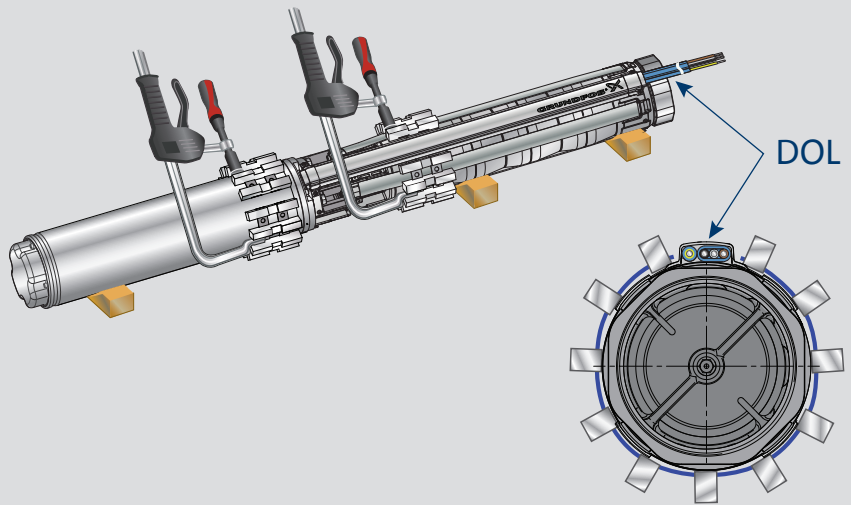
2



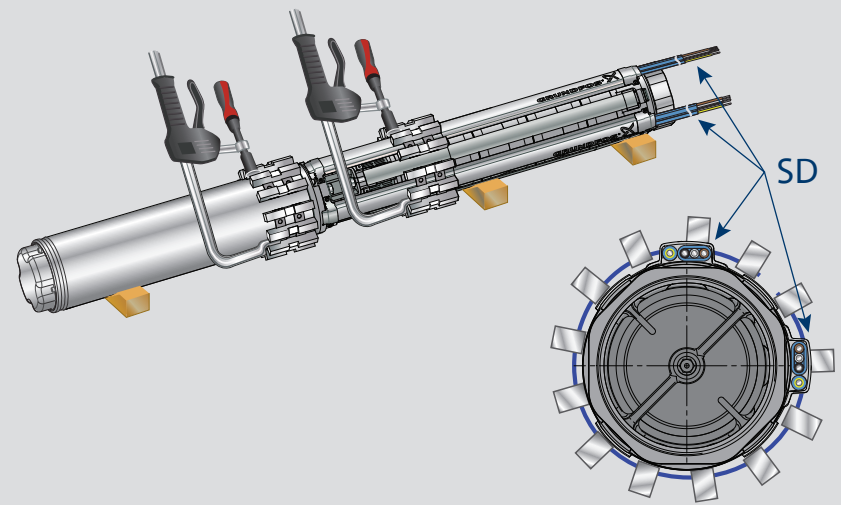
3



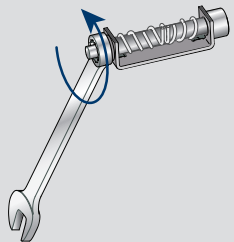
4A



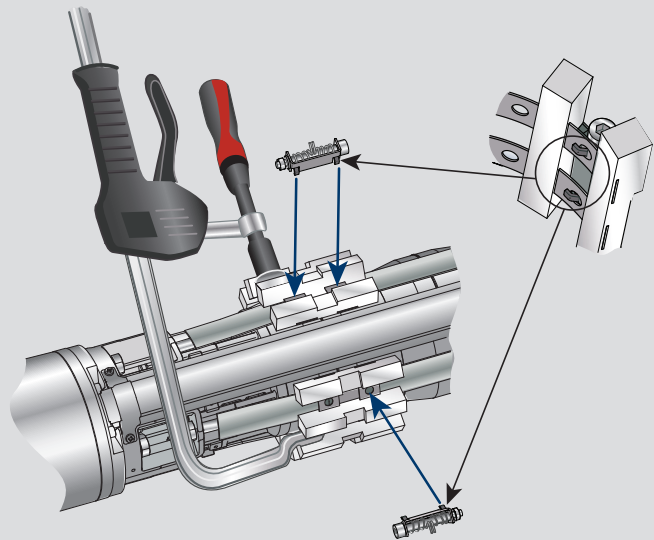
4B



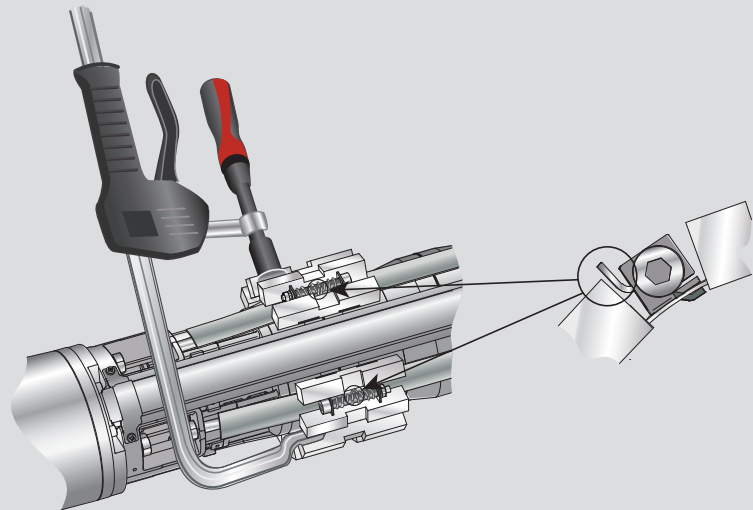
5



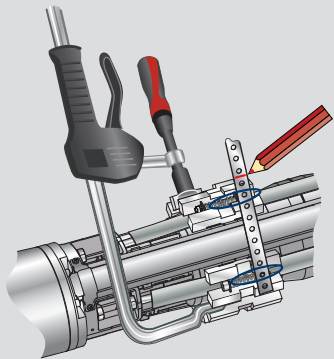
6



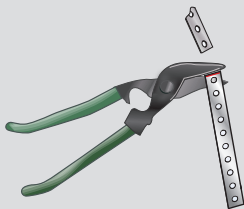
7



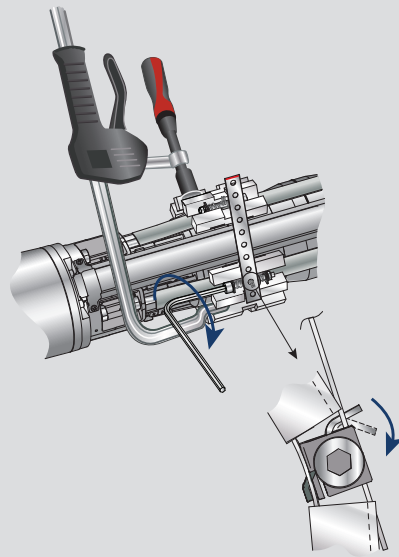
8



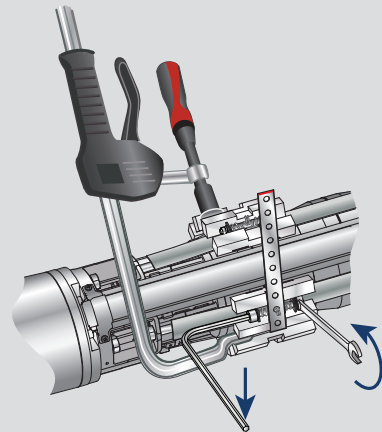
9



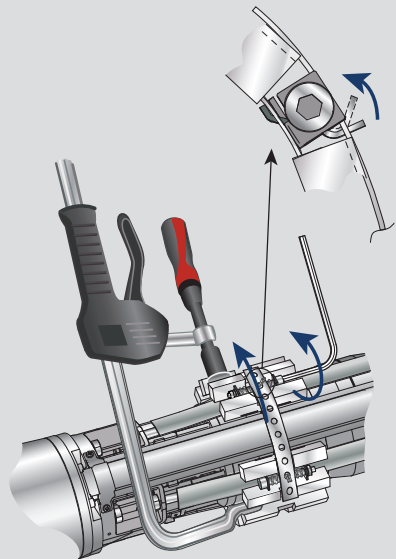
10



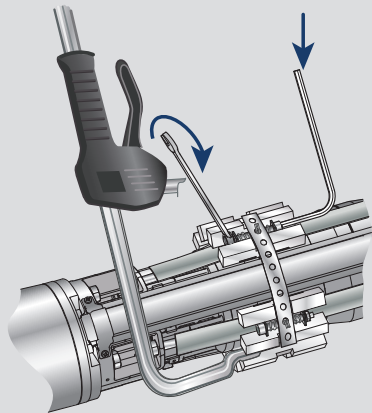
11



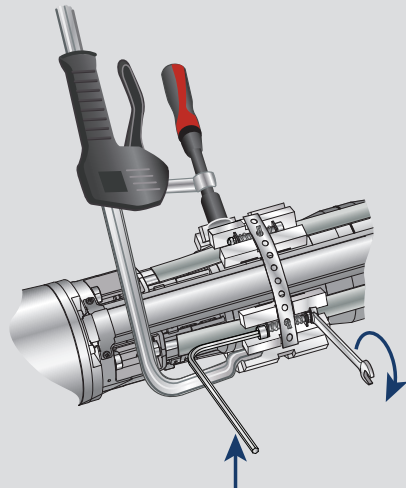
12



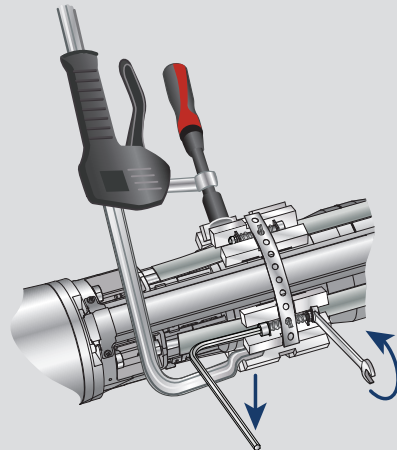
13



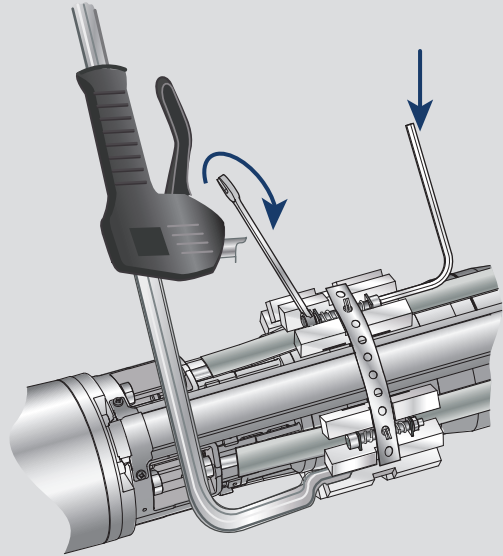
14



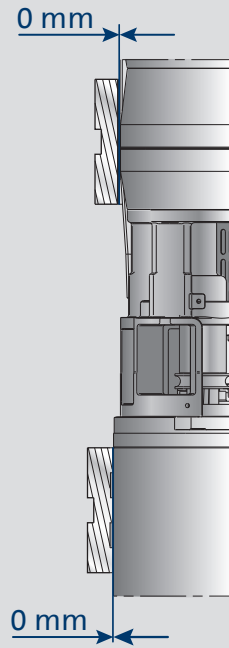
15



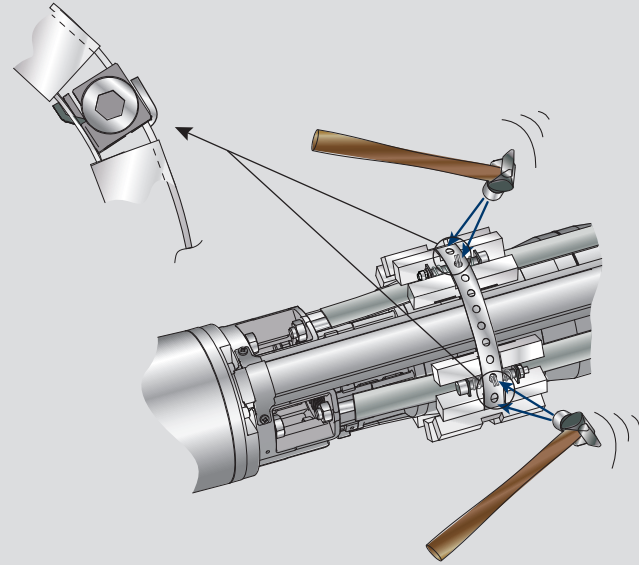
16



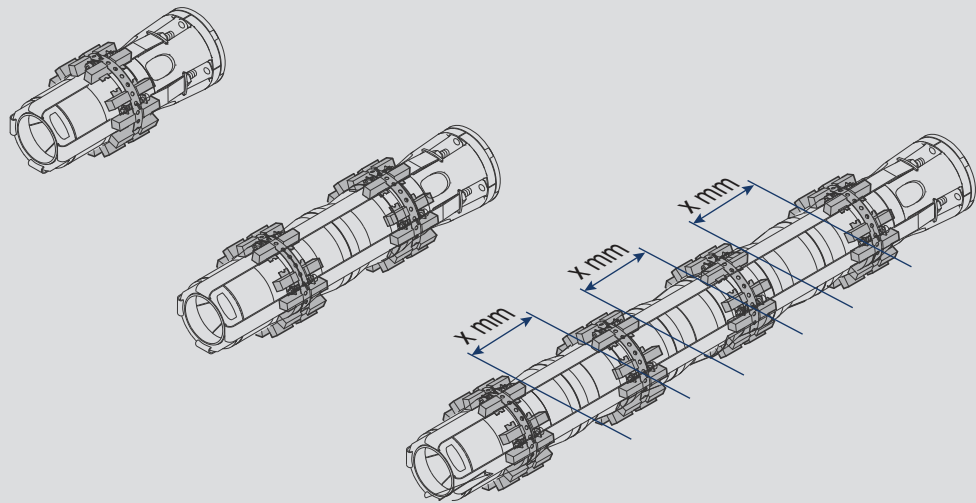
17



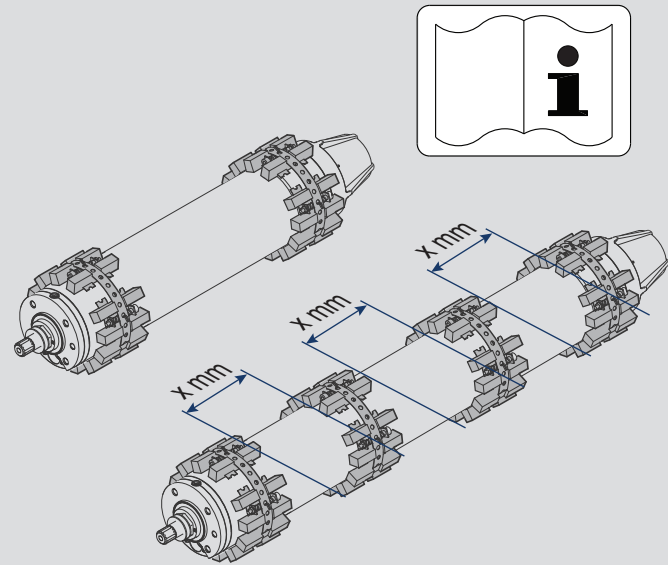
18

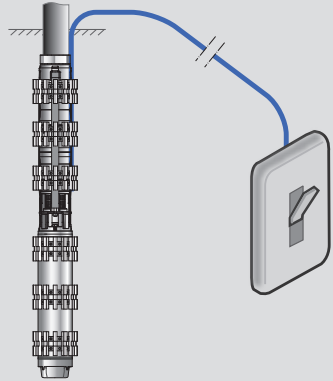


19

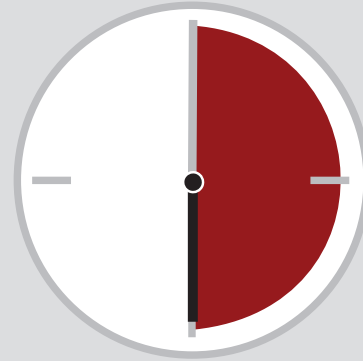


20





OFF = max.6-8 hr./pr. day



98445638 0513

ECM: 1113150

be think innovate

GRUNDFOS 

The name Grundfos, the Grundfos logo and the payoff be think innovate are registered trademarks owned by Grundfos Holding A/S or Grundfos A/S, Denmark. All rights reserved worldwide.